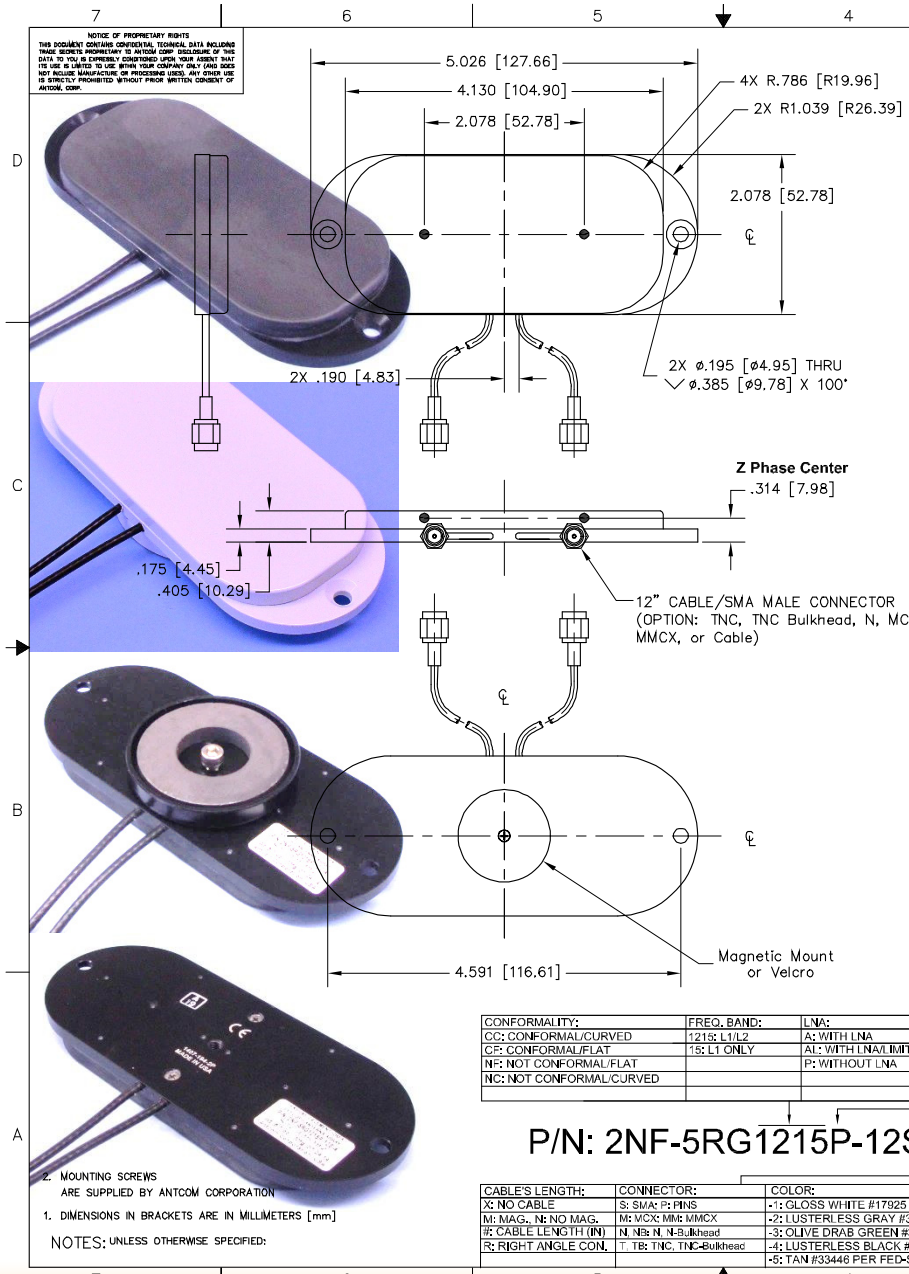


Other Options of Polarizations, Frequency Bands, Cable/Connectors are Available  
 “-PL-” or “-AL-” for Limiter Options for High Power Pulse Protection

ANTCOM CORPORATION . 367 Van Ness Way, Suite 602 . Torrance, CA 90501 . Tel: (310) 782-1076 . Fax: (310) 782-1086 . E-mail: antennas@antcom.com . http://www.antcom.com

Wide Band GNSS Option Is Available



**SPECIFICATIONS**

ZONE	REV	REVISIONS				
		DESCRIPTION	DATE	APPROVED		
<b>ELECTRICAL:</b>						
FREQUENCY:	L1: (1575.42 ±12) MHz		L2: (1227.60 ±12) MHz			
RADIATION PATTERN:	HEMISPHERICAL					
POLARIZATION:	RHCP		RHCP			
VSWR:	< 1.5:1		< 1.5:1			
IMPEDANCE:	50 ohms					
ANTENNA ELEMENT GAIN (dBic):	Free Space	16 in G.P.	4 ft G.P.	Free Space	16 in G.P.	4 ft G.P.
@ 90° (ZENITH):	+4.6	+0.3	+2.9	+1.8	+1.9	+5.3
@ 10° Elevation:	-2.5	-3.1	-1.8	-4.2	-3.1	-2.3
@ 20° Elevation:	-1.1	-1.1	+0.7	-2.9	-1.1	+0.4
@ 30° Elevation:	+0.5	+0.9	+1.7	-2.0	+0.5	+2.3
@ 60 - 90° Elevation:	> 3.6	+3.1/+0.3	> 2.1	> 0.9	+3.1/+1.9	> 3.2
BEAM WIDTH (3dB):	103 Deg.	120 Deg.	146 Deg.	108 Deg.	120 Deg.	74 Deg.
AXIAL RATIO:	2 dB					
NULL DEPTH:	>30 dB (Analog), 55-60 dB (Digital)					
<b>LNA OPTION:</b>						
LNA GAIN:	33 dB		35 dB			
LNA NOISE FIGURE:	3.0 dB		3.0 dB			
LNA P1dB Out:						
LNA DC POWER:	2.5V/20mA, 3V/29mA, 3.3V/35mA, (2.5-24V)/<50mA					
REJECTION @ (-50/+50) MHz	-41 dB / -59 dB					
@ (-100/+100) MHz	< -65 dB					
POWER HANDLING:	1 Watt CW, Optional: 10 Watts 1 Microsec Pulse (-AL-)					

**MECHANICAL:**

SIZE:	LENGTH = 5.026 in. [127.66 mm], WIDTH = 2.078 in. [52.78 mm] HEIGHT: 0.405 in. [10.29 mm]
WEIGHT:	6.00 oz. (170 g)
FINISH:	SKYDROL RESISTANT POLYURETHANE ENAMEL BASE IRIDITE PER MIL-C-5441
MATERIAL:	6061-T6 ALUMINUM ALLOY BASE COMPOSITE RADOME, IMPACT, ABRASION, UV, SOLVENT, SKYDROL RESISTANCE, AND FIRE RETARDANT
CONNECTOR:	12" RG316 Cable/ SMA MALE (OPTION: TNC Bulkhead, N, N Bulkhead, MCX, MMCX, or Cable)

**ENVIRONMENTAL:**

TEMPERATURE:	-67 °F TO +185 °F [-55 °C TO +85 °C]
ALTITUDE:	70,000 ft
VIBRATION:	> 30 G's
LEAKAGE:	HERMETICALLY SEAL

**FEDERAL & MILITARY SPECIFICATIONS:**

DESIGN TO:	FAA TSO-C144, DO-160D, DO-228, MIL-C-5541, MIL-E-5400, MIL-I-45208A, MIL-STD-810, AND SAE J1455
------------	--

CONFORMALITY:	FREQ. BAND:	LNA:
CC: CONFORMAL/CURVED	1215x L1L2	A: WITH LNA
CF: CONFORMAL/FLAT	15x L1 ONLY	AL: WITH LNA/LIMITER
NF: NOT CONFORMAL/FLAT		P: WITHOUT LNA
NC: NOT CONFORMAL/CURVED		

P/N: 2NF-5RG1215P-12S-3

CABLE'S LENGTH:	CONNECTOR:	COLOR:
X: NO CABLE	S: SMA; P: PINS	-1: GLOSS WHITE #17925 PER FED-STD-595B
M: MAG, N: NO MAG.	M: MCX; MIM; MMCX	-2: LUSTERLESS GRAY #36320 PER FED-STD-595B
#: CABLE LENGTH (IN)	N: N; N-B: Bulkhead	-3: OLIVE DRAB GREEN #34031 PER FED-STD-595B
R: RIGHT ANGLE CON.	T: TB; TNC; TNC-Bulkhead	-4: LUSTERLESS BLACK #37038 PER FED-STD-595B
		-5: TAN #33446 PER FED-STD-595B

QUANTITY REQD	DESCRIPTION	PART NO	FINISH	REF
4	MOUNTING SCREWS: (10-32, 3/4" L)	MS24693C2274, Item 587-075	-	2
A/R	WASHER, CUSTOM C/SINK	3G15P1001-6	-	1

UNLESS OTHERWISE SPECIFIED  
 DIMENSIONS ARE IN INCHES  
 FRACTIONS: 1/32, 1/16, 3/32, 1/8, 1/4, 3/8, 1/2, 5/8, 3/4, 7/8, 1  
 DECIMALS: .005, .010, .015, .020, .025, .030, .035, .040, .045, .050, .055, .060, .065, .070, .075, .080, .085, .090, .095, .100, .105, .110, .115, .120, .125, .130, .135, .140, .145, .150, .155, .160, .165, .170, .175, .180, .185, .190, .195, .200, .205, .210, .215, .220, .225, .230, .235, .240, .245, .250, .255, .260, .265, .270, .275, .280, .285, .290, .295, .300, .305, .310, .315, .320, .325, .330, .335, .340, .345, .350, .355, .360, .365, .370, .375, .380, .385, .390, .395, .400, .405, .410, .415, .420, .425, .430, .435, .440, .445, .450, .455, .460, .465, .470, .475, .480, .485, .490, .495, .500, .505, .510, .515, .520, .525, .530, .535, .540, .545, .550, .555, .560, .565, .570, .575, .580, .585, .590, .595, .600, .605, .610, .615, .620, .625, .630, .635, .640, .645, .650, .655, .660, .665, .670, .675, .680, .685, .690, .695, .700, .705, .710, .715, .720, .725, .730, .735, .740, .745, .750, .755, .760, .765, .770, .775, .780, .785, .790, .795, .800, .805, .810, .815, .820, .825, .830, .835, .840, .845, .850, .855, .860, .865, .870, .875, .880, .885, .890, .895, .900, .905, .910, .915, .920, .925, .930, .935, .940, .945, .950, .955, .960, .965, .970, .975, .980, .985, .990, .995, 1.000

ANTCOM CORP. TORRANCE, CALIFORNIA  
 OUTLINE DRAWING  
 2 ELEMENT L1L2 GPS  
 ANTENNA ARRAY  
 DATE: 01-26-01  
 DRAWN BY: S. HUYNH  
 CHECKED BY: P. TRAN  
 APPROVED BY: S. HUYNH  
 SCALE: 1/1  
 SHEET 1 OF 1