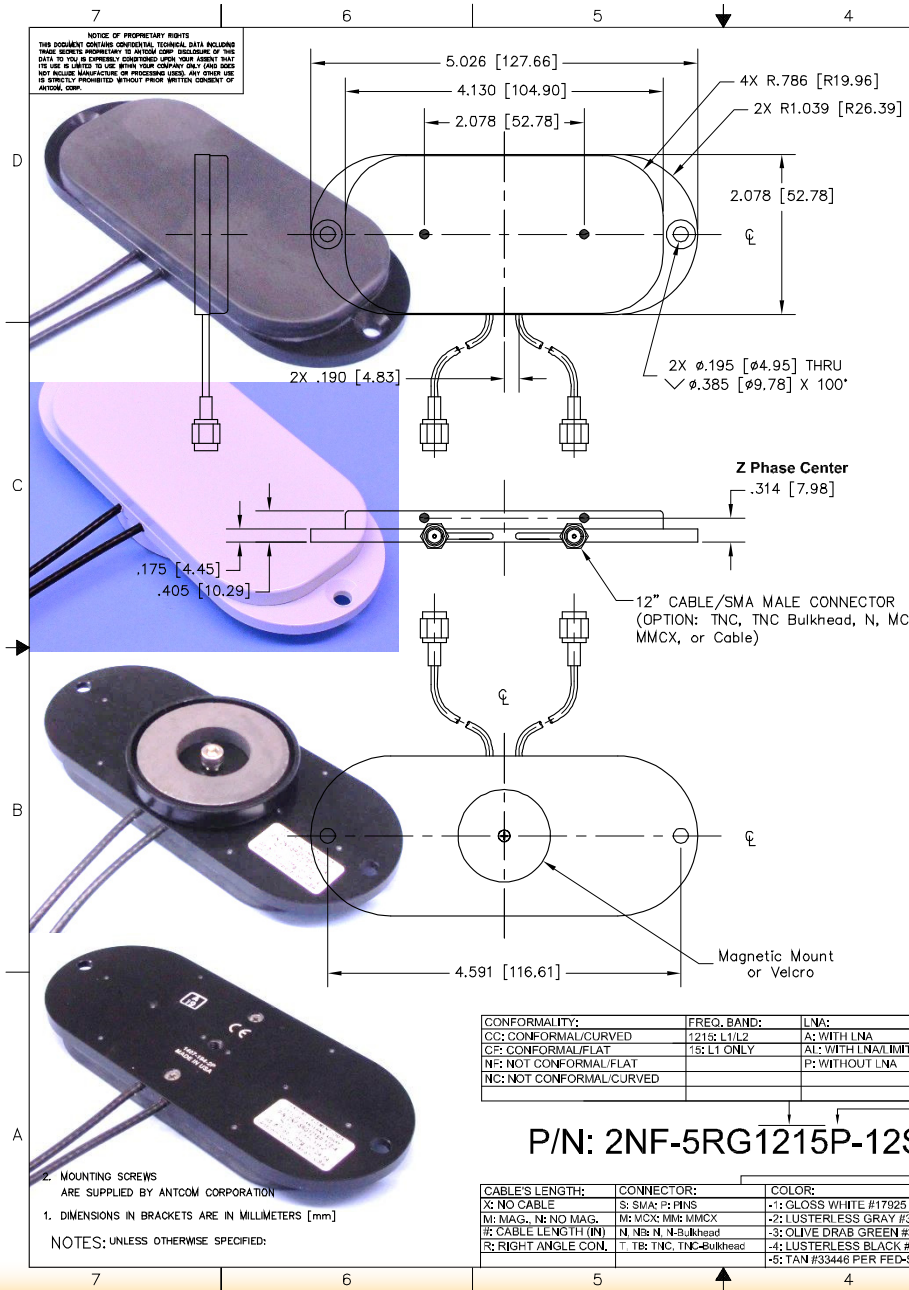


Other Options of Polarizations, Frequency Bands, Cable/Connectors are Available

“-PL-” or “-AL-” for Limiter Options for High Power Pulse Protection

ANTCOM CORPORATION . 367 Van Ness Way, Suite 602 . Torrance, CA 90501 . Tel: (310) 782-1076 . Fax: (310) 782-1086 . E-mail: antennas@antcom.com . http://www.antcom.com

Wide Band GNSS Option Is Available



**SPECIFICATIONS**

**ELECTRICAL:**

FREQ. BAND	L1: (1575.42 ±12) MHz		L2: (1227.60 ±12) MHz			
	Free Space	16 in G.P.	4 ft G.P.	Free Space	16 in G.P.	4 ft G.P.
RADIATION PATTERN:	HEMISPHERICAL					
POLARIZATION:	RHCP			RHCP		
VSWR:	< 1.5:1			< 1.5:1		
IMPEDANCE:	50 ohms					
ANTENNA ELEMENT GAIN (dBic):	50 ohms					
@ 90° (ZENITH):	+4.6	+0.3	+2.9	+1.8	+1.9	+5.3
@ 10° Elevation:	-2.5	-3.1	-1.8	-4.2	-3.1	-2.3
@ 20° Elevation:	-1.1	-1.1	+0.7	-2.9	-1.1	+0.4
@ 30° Elevation:	+0.5	+0.9	+1.7	-2.0	+0.5	+2.3
@ 60 - 90° Elevation:	> 3.6	+3.1/+0.3	> 2.1	> 0.9	+3.1/+1.9	> 3.2
BEAM WIDTH (3dB):	103 Deg.	120 Deg.	146 Deg.	108 Deg.	120 Deg.	74 Deg.
AXIAL RATIO:	2 dB					
NULL DEPTH:	>30 dB (Analog), 55-60 dB (Digital)					

**LNA OPTION:**

LNA GAIN:	33 dB	35 dB
LNA NOISE FIGURE:	3.0 dB	3.0 dB
LNA P1dB Out:		
LNA DC POWER:	2.5V/20mA, 3V/29mA, 3.3V/35mA, (2.5-24V)/<50mA	
REJECTION @ (-50/+50) MHz:	-41 dB / -59 dB	
@ (-100/+100) MHz:	< -65 dB	
POWER HANDLING:	1 Watt CW, Optional: 10 Watts 1 Microsec Pulse (-AL-)	

**MECHANICAL:**

SIZE:	LENGTH = 5.026 in. [127.66 mm], WIDTH = 2.078 in. [52.78 mm] HEIGHT: 0.405 in. [10.29 mm]
WEIGHT:	6.00 oz. (170 g)
FINISH:	SKYDROL RESISTANT POLYURETHANE ENAMEL BASE IRIDITE PER MIL-C-5441
MATERIAL:	6061-T6 ALUMINUM ALLOY BASE COMPOSITE RADOME, IMPACT, ABRASION, UV, SOLVENT, SKYDROL RESISTANCE, AND FIRE RETARDANT
CONNECTOR:	12" RG316 Cable/ SMA MALE (OPTION: TNC Bulkhead, N, N Bulkhead, MCX, MMCX, or Cable)

**ENVIRONMENTAL:**

TEMPERATURE:	-67 °F TO +185 °F [-55 °C TO +85 °C]
ALTITUDE:	70,000 ft
VIBRATION:	> 30 G's
LEAKAGE:	HERMETICALLY SEAL

**FEDERAL & MILITARY SPECIFICATIONS:**

DESIGN TO:	FAA TSO-C144, DO-160D, DO-228, MIL-C-5541, MIL-E-5400, MIL-I-45208A, MIL-STD-810, AND SAE J1455
------------	--

CONFORMALITY:	FREQ. BAND:	LNA:
CC: CONFORMAL/CURVED	1215x L1L2	A: WITH LNA
CF: CONFORMAL/FLAT	15x L1 ONLY	AI: WITH LNA/LIMITER
NF: NOT CONFORMAL/FLAT		P: WITHOUT LNA
NC: NOT CONFORMAL/CURVED		

P/N: 2NF-5RG1215P-12S-3

CABLE'S LENGTH:	CONNECTOR:	COLOR:
X: NO CABLE	S: SMA; P: PINS	-1: GLOSS WHITE #17925 PER FED-STD-595B
M: MAG., N: NO MAG.	M: MCX; MM: MMCX	-2: LUSTERLESS GRAY #36320 PER FED-STD-595B
#: CABLE LENGTH (IN)	N: N; N-B: Bulkhead	-3: OLIVE DRAB GREEN #34031 PER FED-STD-595B
R: RIGHT ANGLE CON.	T: TB; TNC; TNC-Bulkhead	-4: LUSTERLESS BLACK #37038 PER FED-STD-595B
		-5: TAN #33446 PER FED-STD-595B

QUANTITY REQD	DESCRIPTION	PART NO	FINISH	QTY
4	MOUNTING SCREWS: (10-32, 3/4" L)	MS24693C2274, Item 587-075	-	2
A/R	WASHER, CUSTOM C/SINK	3G15P1001-6	-	1

UNLESS OTHERWISE SPECIFIED DIMENSIONS ARE IN INCHES FRACTIONS: DECIMALS: ANGLES: ± 1/64 .XXX ± .1°	DATE	BY	CHKD	APP'D
TOLERANCE 5V PER ANSI Y14.5 HOLE: EXTERNAL EDGES .005 TO .015 FILLET R .015 TO R .025 SMA'S OR A COMB. E. 25.005 MACHINED SURFACES: .01	ORIGINALLY DRAWN	S. HUYNH	01-06-01	
	ORIGINALLY DESIGNED	S. HUYNH	01-06-01	
	UPDATE DRAWN	P. TRAN	July-03-14	
	APPROVED	S. HUYNH	July-03-14	

<b>ANTCOM CORP.</b> TORRANCE, CALIFORNIA	
OUTLINE DRAWING	
2 ELEMENT L1L2 GPS	
ANTENNA ARRAY	
DATE: 01-06-01	SCALE: 1/1
REV: 1	SHEET 1 OF 1