



FAA Approved Facility

L, S, C-Band Antenna
 P/N: 2GR1.7-2.5V-P-MNS-5 (1.7-2.5GHz L/S-Band, SMA, Tan)
 P/N: 2GR4.4-5.9V-P-MNS-5 (4.4-5.9GHz C-Band, SMA, Tan), P/N: 2GR4.4-5.9V-A-MNS-5 (Active)
 P/N: 2GR1.7-5.9V-P-MNS-5 (1.7-5.9GHz L/S/C-Band, SMA, Tan)

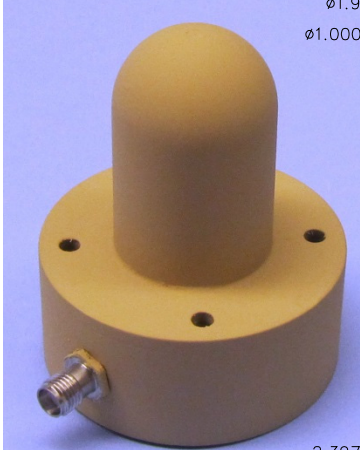

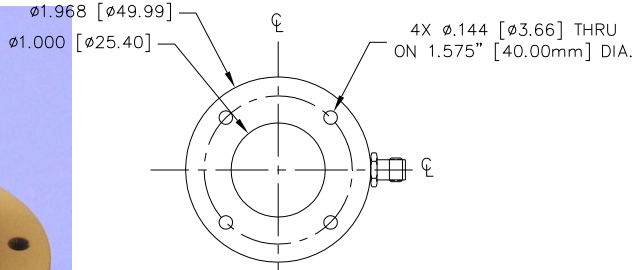
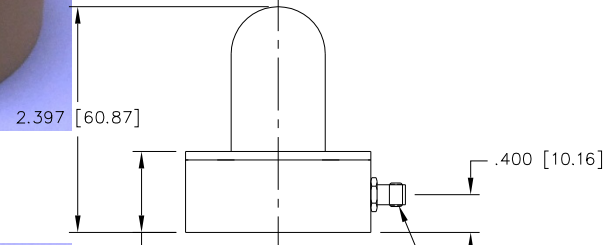
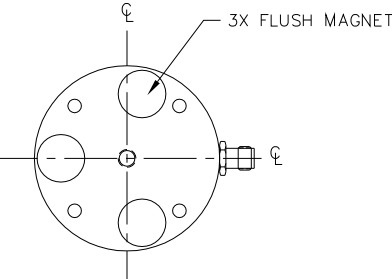


Other Frequency Bands, LNA, Connectors, Colors, and No-Magnet Options Are Also Available

Antenna Mounts/Adapters: <http://www.antcom.com/documents/catalogs/PeripheralAntennaProducts2.pdf>

ANTCOM CORPORATION . 367 Van Ness Way, Suite 602 . Torrance, CA 90501 . Tel: (310) 782-1076 . Fax: (310) 782-1086 . E-mail: antennas@antcom.com . <http://www.antcom.com>

NOTICE OF PROPRIETARY RIGHTS
 THIS DOCUMENT CONTAINS CONFIDENTIAL TECHNICAL DATA INCLUDING TRADE SECRETS PROPRIETARY TO ANTCOM CORP. DISCLOSURE OF THIS DATA TO YOU IS EXPRESSLY PROHIBITED UNLESS YOU AGREE THAT ITS USE IS LIMITED TO USE WITHIN YOUR COMPANY ONLY (AND DOES NOT INCLUDE MANUFACTURE OR PROCESSING) AND YOUR USE IS STRICTLY PROHIBITED WITHOUT PRIOR WRITTEN CONSENT OF ANTCOM CORP.

Dimensions:
 Top diameter: $\phi 1.968$ [49.99]
 Base diameter: $\phi 1.000$ [25.40]
 Height: 2.397 [60.87]
 SMA connector offset: .400 [10.16]
 Base hole offset: .860 [21.83]

4X $\phi .144$ [3.66] THRU ON 1.575" [40.00mm] DIA.
 3X FLUSH MAGNET

SMA FEMALE CONNECTOR
 (OPTION: BNC, QMA, SMB, SMP, BNC, TNC)

P/N: 2GR4.4-5.9V-P-MNS-5

| FREQUENCY: | LNA: | FEMALE CONNECTOR: | COLOR: |
|---------------|-------------------|-------------------|--|
| 1.7 - 2.5 GHz | A: WITH 12dB LNA | S: SMA; Q/QMA | -1: GLOSS WHITE #17925 PER FED-STD-595B |
| 4.4 - 5.9 GHz | A2: WITH 20dB LNA | SMB; SMP | -2: LUSTERLESS GRAY #36320 PER FED-STD-595B |
| 1.7 - 5.9 GHz | P: WITHOUT LNA | T: TNC; B: BNC | -3: OLIVE DRAB GREEN #34031 PER FED-STD-595B |
| X.X - Y.Y GHz | N: N | N: N | -4: LUSTERLESS BLACK #37038 PER FED-STD-595B |
| | | | -5: DESERT TAN #33446 PER FED-STD-595B |

1. DIMENSIONS IN BRACKETS ARE IN MILLIMETERS [mm]
 NOTES: UNLESS OTHERWISE SPECIFIED:

SPECIFICATIONS

| ZONE | REV | REVISIONS | | |
|------|-----|-------------|------|----------|
| | | DESCRIPTION | DATE | APPROVED |
| | | | | |

ELECTRICAL:

| | L/S-BAND | C-BAND | L/S/C-BAND |
|-------------------|---|-----------------|-----------------|
| FREQUENCY: | (1.7 - 2.5 GHz) | (4.4 - 5.9 GHz) | (1.7 - 5.9 GHz) |
| PATTERN: | OMNIDIRECTIONAL | | |
| POLARIZATION: | VERTICAL | | |
| ANTENNA GAIN: | 3 dB | | |
| VSWR: | 2.0:1 | | |
| OUTPUT IMPEDANCE: | 50 Ω | | |
| POWER HANDLING: | >50 watts (without LNA) | | |
| LNA OPTION: | GAIN: 12 dB, NF: 3 dB, OP1dB: +18dB, OIP3: +33dB DC: 12 Volt @ <70mA | | |

MECHANICAL:

SIZE: DIAMETER 2.0 in. [50 mm]
 HEIGHT 2.40 [60.87 mm]
 WEIGHT: <2.47 oz. (70 g)
 FINISH: SKYDROL RESISTANT POLYURETHANE ENAMEL
 BASE IRIDITE PER MIL-C-5441F
 COLOR: LUSTERLESS GRAY #36320 PER FED-STD-595B
 GLOSS WHITE #17925 PER FED-STD-595B
 OLIVE DRAB GREEN #34031 PER FED-STD-595B
 LUSTERLESS BLACK #37038 PER FED-STD-595B
 MATERIAL: 6061-T6 ALUMINUM ALLOY BASE
 THERMOSET PLASTIC RADOME, UV, ABRASION AND SKYDROL RESISTANCE
 CONNECTOR: SMA FEMALE
 (OPTION: BNC, QMA, SMB, SMP, BNC, TNC)

ENVIRONMENTAL:

TEMPERATURE: -67°F TO +185°F [-55°C TO +85°C]
 ALTITUDE: 70,000 ft.
 VIBRATION: 10 G's
 LEAKAGE: HERMETICALLY SEAL

FEDERAL & MILITARY SPECIFICATIONS:

DESIGN TO: DO-160D, MIL-C-5541, MIL-E-5400, MIL-I-45208A, AND MIL-STD-810

| QTY | DESCRIPTION | PART NO | MATERIAL | FINISH | TRU NO |
|-----|--------------|-------------------------------|----------|--------|--------|
| 1 | MAGNET COVER | Magnet-Cover-3i (Item 541g3i) | | | 1 |
| -1 | DESCRIPTION | PART NO | MATERIAL | FINISH | TRU NO |

UNLESS OTHERWISE SPECIFIED
 DIMENSIONS ARE IN INCHES
 FRACTIONS DECIMALS ANGLES
 $\pm 1/64$.xxx .015 $\pm 1^\circ$
 TOLERANCE SMI PER ANSI Y14.5
 REMOVE ALL BURRS
 BREAK EXTERNAL EDGES .005 TO .015
 CHAMFER .010 TO .015
 DRILL HOLE DIA'S ON A COMMON & .0008
 MACHINED SURFACES .001

DO NOT SCALE DRAWING

ANTCOM CORP. TORRANCE, CALIFORNIA
 2GR Omnidirectional Vertically Polarized Antenna

| REV | DATE | DESCRIPTION | DRWING NO | REV |
|-----|-------|---------------------|-----------|-----|
| D | 3CVE1 | 2GR4.4-5.9V-P-MNS-5 | | A |

SCALE 1/1 SHEET 1 OF 1

NMO Connector Option is Now Available for Some Antennas