



FAA Approved Facility

GPS/Glonass/IRIDIUM/Inmarsat/L-Band Antenna, P/N: 2GNSS16P-XNMO-4

Thuraya, P/N: 2GNSS1P-XNMO-4

2.63" Diameter, NMO Mount Connector Configuration

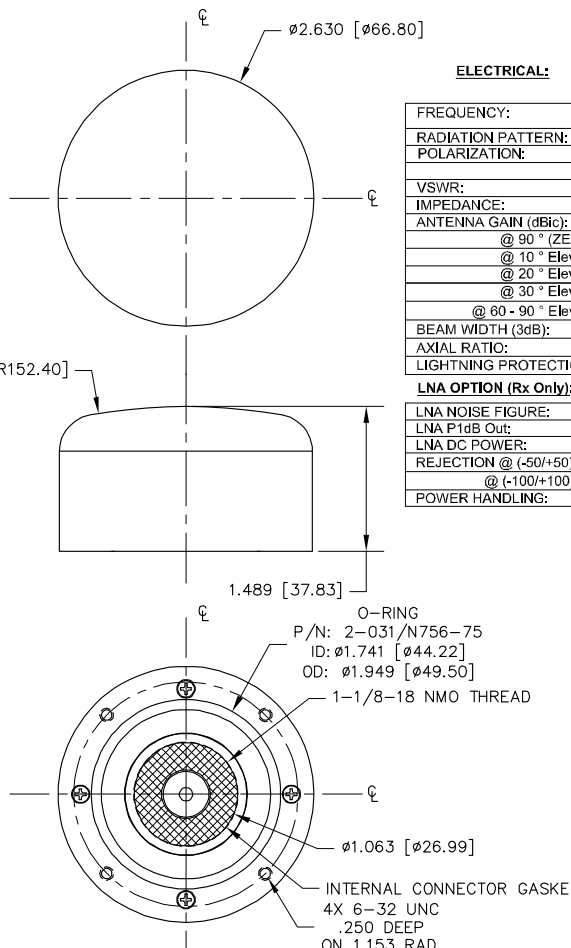
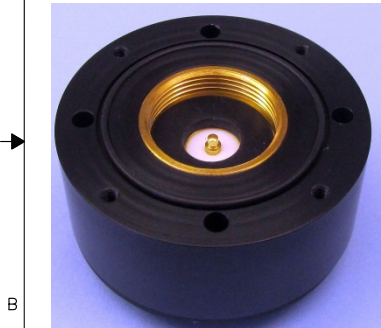
Other L1/L2 GPS/Glonass, Frequencies, Diameter and Configurations are Available

Antenna Mounts/Adapters: http://www.antcom.com/documents/catalogs/PeripheralAntennaProducts2.pdf



ANTCOM CORPORATION . 367 Van Ness Way, Suite 602 . Torrance, CA 90501 . Tel: (310) 782-1076 . Fax: (310) 782-1086 . E-mail: antennas@antcom.com . http://www.antcom.com

NOTICE OF PROPRIETARY RIGHTS
THIS DOCUMENT CONTAINS CONFIDENTIAL INFORMATION. DISCLOSURE OF THIS DATA TO YOU IS EXPRESSLY CONDITIONED UPON YOUR ASSUREMENT THAT ITS USE IS LIMITED TO USE WITHIN YOUR COMPANY ONLY AND DOES NOT INCLUDE REPRODUCTION OR FURTHER DISSEMINATION. ANY OTHER USE IS STRICTLY PROHIBITED WITHOUT WRITTEN CONSENT OF ANTCOM CORP.



SPECIFICATIONS

ZONE	REVISIONS		
	REV	DESCRIPTION	DATE
-	-	-	-

ELECTRICAL:	Rx	L1 GPS, E1, E2 Galileo, L1 IRNSS	IRIDIUM, L1 GLONASS	Tx
	OmniStar, L6 Galileo, B1 Compass			
FREQUENCY:	(1542.5 ± 17.5) MHz	(1575 ± 17) MHz	(1609 -1626) MHz	(1642.5 ± 17.5) MHz
RADIATION PATTERN:	HEMISPHERICAL			
POLARIZATION:	RHCP (Inmarsat) LHCP (Thuraya)	RHCP	RHCP	RHCP (Inmarsat) LHCP (Thuraya)
VSWR:	< 2.0:1	< 2.0:1	< 2.0:1	< 2.0:1
IMPEDANCE:	50 ohms	50 ohms	50 ohms	50 ohms
ANTENNA GAIN (dBic):	Free Space	4 ft G.P.	Free Space	4 ft G.P.
@ 90 ° (ZENITH):	+ 2.5	+ 1.6	+ 3.7	- 1.5
@ 10 ° Elevation:	- 4.7	- 2.4	- 3.5	- 3.5
@ 20 ° Elevation:	- 3.8	+ 0.7	- 2.6	- 0.9
@ 30 ° Elevation:	- 2.1	+ 2.3	- 0.9	+ 0.3
@ 80 - 90 ° Elevation:	> + 1.0	> + 2.1	> + 2.3	> 0
BEAM WIDTH (3dB):	90 Deg.	140 Deg.	85 Deg.	140 Deg.
AXIAL RATIO:	3.0 dB			
LIGHTNING PROTECTION:	DC GROUNDING			
LNA OPTION (Rx Only):	35 dB Gain			
LNA NOISE FIGURE:	3.0 dB			
LNA P1dB Out:	+13 dBm			
LNA DC POWER:	2.5V/20mA, 3V/29mA, 3.3V/35mA, (2.5-24)V/<50mA			
REJECTION @ (-50/+50) MHz	-40 dB / -40 dB			
@ (-100/+100) MHz	< -65 dB			
POWER HANDLING:	200 Watts CW (WITHOUT LNA) , 1 Watt CW (WITH LNA)			

MECHANICAL:

SIZE: DIAMETER: 2.63 in.[66.80] mm
HEIGHT: 1.49 in. [37.81 mm]
12 oz. (341 g)

WEIGHT:

FINISH: SKYDROL RESISTANT POLYURETHANE ENAMEL
BASE IRIDITE PER MIL-C-5441

MATERIAL: 6061-T6 ALUMINUM ALLOY BASE
COMPOSITE RADOME, IMPACT, ABRASION, UV, SOLVENT,
SKYDROL RESISTANCE, AND FIRE RETARDANT

CONNECTOR: NEW MOTOROLA MOUNT (NMO)

ENVIRONMENTAL:

TEMPERATURE: -67 °F TO +185 °F [-55 °C TO +85 °C]
ALTITUDE: 70,000 ft.
VIBRATION: > 30 G's
LEAKAGE: HERMETICALLY SEALED

FEDERAL & MILITARY SPECIFICATIONS:

DESIGN TO: FAA TSO-C144, DO-160D, DO-228, MIL-C-5541,
MIL-E-5400, MIL-I-45208A, MIL-STD-810, AND SAE J1455

ACCEPTANCE TEST PROCEDURE: ATP-GPS-L1L2-100

SIZE:	FREQ. BAND:	LNA:
1: 2" SO.	16:L1 GPS/GLONASS	A: WITH LNA
1.5: 1.8" SO.	RX/TX INMARSAT/IRIDIUM	AL: WITH LNA/LIMITER
2: 2.6" DIA.	Tx GLOBALSTAR	P: WITHOUT LNA
3: 3.5" DIA.	Tx Rx THURAYA	
4: MINI ARINC		

XC NO CABLE	CONNECTOR:	COLOR:
M: MAG, N: No Mag,	NMO: NEW MOTOROLA MOUNT	-1: GLOSS WHITE #17925 PER FED-STD-595B
P: CABLE LENGTH (IN)	S: SMA; P: PINS	-2: LUSTERLESS GRAY #36320 PER FED-STD-595B
R: RIGHT ANGLE CON.	M: MCM; MM: MCMX	-3: OLIVE DRAB GREEN #34031 PER FED-STD-595B
	N: N; NB: NB Bulkhead	-4: LUSTERLESS BLACK #37038 PER FED-STD-595B
	T: TMC; TB: TMC-Bulkhead	-5: TAN #33446 PER FED-STD-595B

QUANTITY	RECD	DESCRIPTION	PART NO	FINISH	ITEM NO
1	1	O-RING	2-031/N756-75, ITEM 550	-	1
-2	-1				

ANTCOM CORP. TORRANCE, CALIFORNIA

2.6" DIA.
GPS/IRIDIUM/INMARSAT/L-BAND
ANTENNA

DATE: JUN-19-14
DRAWN BY: S. HUYNH
CHECKED BY: P. TRAN
APPROVED BY: S. HUYNH

SCALE: 1/1

SHEET 1 OF 1

1. DIMENSIONS IN BRACKETS ARE IN MILLIMETERS [mm]
NOTES: UNLESS OTHERWISE SPECIFIED:

NMO Connector Option is Now Available for Some Antennas