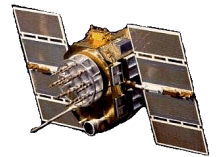




Active L1/L2 GPS Antenna, P/N: 2G1215A-XNMO-4

2.63" Diameter, NMO Mount Connector Configuration



Other L1/L2 GPS/Glonass, Frequencies, Diameters and Configurations are Available

ISO 9001:2008/FAA Approved Facility Antenna Mounts: <http://www.antcom.com/documents/catalogs/PeripheralAntennaProducts2.pdf>

ANTCOM CORPORATION . 367 Van Ness Way, #602 . Torrance, CA 90501 . Tel: (310) 782-1076 . Fax: (310) 782-1086 . E-mail: antennas@antcom.com . <http://www.antcom.com>


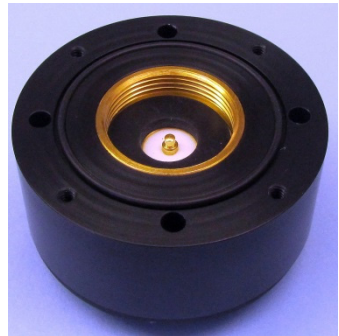
NOTICE OF PROPRIETARY RIGHTS
THIS DOCUMENT CONTAINS CONFIDENTIAL TECHNICAL INFORMATION. TRADE SECRETS PROPRIETARY TO ANTCOM CORP. DISCLOSURE OF THIS DATA TO ANY OTHER PERSON OR ENTITY WITHOUT THE WRITTEN CONSENT OF ANTCOM CORP. IS STRICTLY PROHIBITED WITHOUT PRIOR WRITTEN CONSENT OF ANTCOM CORP.

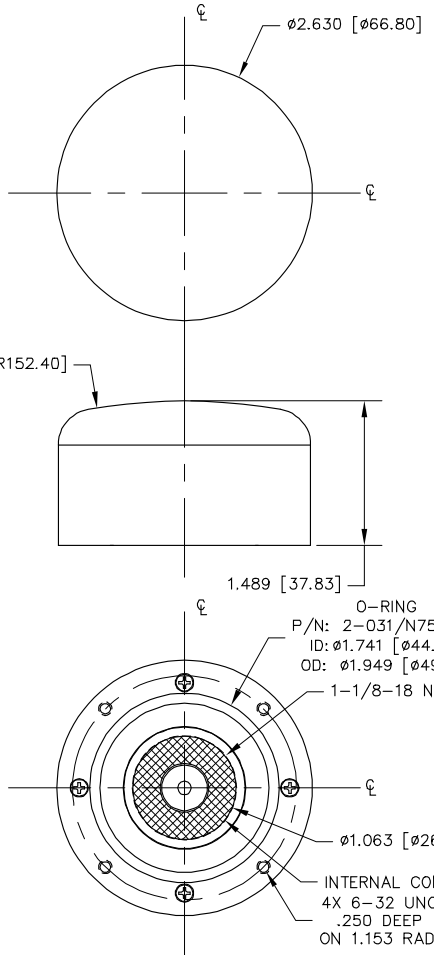
SPECIFICATIONS

ZONE	REV	DESCRIPTION	DATE	APPROVED
B	REVISED	COLOR #34088 PER NGC	04/08/13	S.H

REVISIONS

ZONE	REV	DESCRIPTION	DATE	APPROVED
B	REVISED	COLOR #34088 PER NGC	04/08/13	S.H



$\varnothing 2.630$ [$\varnothing 66.80$]
 $R6.000$ [$R152.40$]
 1.489 [37.83]
 $\varnothing 1.063$ [$\varnothing 26.99$]
 $4 \times 6-32$ UNC
 $.250$ DEEP
ON 1.153 RAD.

ELECTRICAL:

	L1: (1575.42 ±12) MHz	L2: (1227.60 ±12) MHz
FREQUENCY:		
RADIATION PATTERN:	HEMISPHERICAL	
POLARIZATION:	RHCP	
VSWR:	< 1.5:1	
IMPEDANCE:	50 ohms	
ANTENNA GAIN (dBic):	Free Space	3 in G.P.
@ 90 ° (ZENITH):	+5.0	+4.7
@ 10 ° Elevation:	-2.1	-1.8
@ 20 ° Elevation:	-0.6	-0.3
@ 30 ° Elevation:	+0.9	+1.4
@ 60 - 90 ° Elevation:	> 4.0	> 3.9
BEAM WIDTH (3dB):	103 Deg.	114 Deg.
AXIAL RATIO:	2 dB	
LIGHTNING PROTECTION:	DC GROUNDING	
LNA GAIN:	33 dB	35 dB
LNA NOISE FIGURE:	3.0 dB	3.0 dB
LNA P1dB Out:	+13 dBm	+13 dBm
LNA DC POWER:	2.5V/20mA, 3V/29mA, 3.3V/35mA, (2.5-24V)/<50mA	
REJECTION @ (-50/+50) MHz:	< -41 dB / -59 dB	
@ (-100/+100) MHz:	< -65 dB	
POWER HANDLING:	1 Watt CW, Optional: 10 Watts 1 microsec Pulse (-AL-)	

MECHANICAL:

SIZE: DIAMETER: 2.63 in. [66.8 mm]
HEIGHT: 1.49 in. [37.81 mm]
12 oz. (341 g)

WEIGHT: SKYDROL RESISTANT POLYURETHANE ENAMEL
FINISH: BASE IRIDITE PER MIL-C-5541F Class 1A
MATERIAL: 6061-T6 ALUMINUM ALLOY BASE
COMPOSITE RADOME, IMPACT, ABRASION, UV, SOLVENT,
SKYDROL RESISTANCE, AND FIRE RETARDANT

CONNECTOR: TNC FEMALE BULKHEAD CONNECTOR
(OPTION: SMA, BNC, N, N Bulkhead, MCX, MMCX)

ENVIRONMENTAL:

TEMPERATURE: -67 °F TO +185 °F [-55 °C TO +85 °C]
70,000 ft.

VIBRATION: > 30 G's
HERMETICALLY SEAL

FEDERAL & MILITARY SPECIFICATIONS:

FAA TSO-C144, DO-160D, DO-228, MIL-C-5541,
MIL-E-5400, MIL-I-45208A, MIL-STD-810, AND SAE J1455

ACCEPTANCE TEST PROCEDURE: ATP-GPS-L1L2-100

MECHANICAL:

SIZE: DIAMETER: 2.63 in. [66.8 mm]
HEIGHT: 1.49 in. [37.81 mm]
12 oz. (341 g)

WEIGHT: SKYDROL RESISTANT POLYURETHANE ENAMEL
FINISH: BASE IRIDITE PER MIL-C-5541F Class 1A
MATERIAL: 6061-T6 ALUMINUM ALLOY BASE
COMPOSITE RADOME, IMPACT, ABRASION, UV, SOLVENT,
SKYDROL RESISTANCE, AND FIRE RETARDANT

CONNECTOR: TNC FEMALE BULKHEAD CONNECTOR
(OPTION: SMA, BNC, N, N Bulkhead, MCX, MMCX)

ENVIRONMENTAL:

TEMPERATURE: -67 °F TO +185 °F [-55 °C TO +85 °C]
70,000 ft.

VIBRATION: > 30 G's
HERMETICALLY SEAL

FEDERAL & MILITARY SPECIFICATIONS:

FAA TSO-C144, DO-160D, DO-228, MIL-C-5541,
MIL-E-5400, MIL-I-45208A, MIL-STD-810, AND SAE J1455

ACCEPTANCE TEST PROCEDURE: ATP-GPS-L1L2-100

SIZE:	FREQ. BAND:	LNA:
1: 2" SQ.	L1/L2: 1215 MHz	A: WITH LNA
1.8: 1.8" SQ.	G3: L1 GLONASS/L-BAND	AL: WITH LNA/LIMITER
2: 2.6" DIA.	G5: L1/L2 GLONASS/L-BAND/L5	P: WITHOUT LNA
3: 3.5" DIA.	G8: GNSS	
4: MINI ARINC	G8S: GNSS/S-BAND	

P/N: 2G1215P-XNMO-4

CABLE LENGTH:	CONNECTOR:	COLOR:
X: NO CABLE	MCX: NEW MOTOROLA MOUNT	-1: GLOSS WHITE #17925 PER FED-STD-595B
M: MAG. N. No Mag.	S: SMA: P: PINS	-2: LUSTERLESS GRAY #36320 PER FED-STD-595B
#R: CABLE LENGTH (IN)	M: MCX: MMCX	-3: OLIVE DRAB GREEN #34031 PER FED-STD-595B
R: RIGHT ANGLE CON.	N: N: NB: N-Bulkhead	-4: LUSTERLESS BLACK #37038 PER FED-STD-595B
	T: TNC: TB: TNC-Bulkhead	-5: TAN #33446 PER FED-STD-595B

QUANTITY	DESCRIPTION	PART NO	FINISH	REF
1	O-RING	2-031/N756-75, ITEM 550	-	2
-2	-1			1

UNLESS OTHERWISE SPECIFIED	ANTCOM CORP.
DIMENSIONS ARE IN INCHES	TORRANCE, CALIFORNIA
FRACTIONS: DECIMALS: ANGLES:	
1/16" 0.001" 1°	
TOLERANCE 5V PER ANSI Y14.5	
REMOVE ALL DIMENSIONS FROM EXTERNAL EDGES .005 TO .015	
SAFETY HEADS PER MIL-C-8879	
2X'S ON 45 DEGREE & 90 DEGREE	
MACHINED SURFACES	
DO NOT SCALE DRAWING	

DATE	BY	DESCRIPTION
01-05-29	S. HUYNH	ORIGINALLY DRAWN
01-05-29	S. HUYNH	ORIGINALLY DESIGNED
June-19-14	S. HUYNH	UPDATED
June-19-14	P. TRAN	UPDATE DRAW
June-19-14	S. HUYNH	APPROVED

ANTCOM CORP.

2in Square
L1/L2 GPS ANTENNA

D3CVE1 2G1215P-XNMO-4

SCALE 1/1 SHEET 1 OF 1