



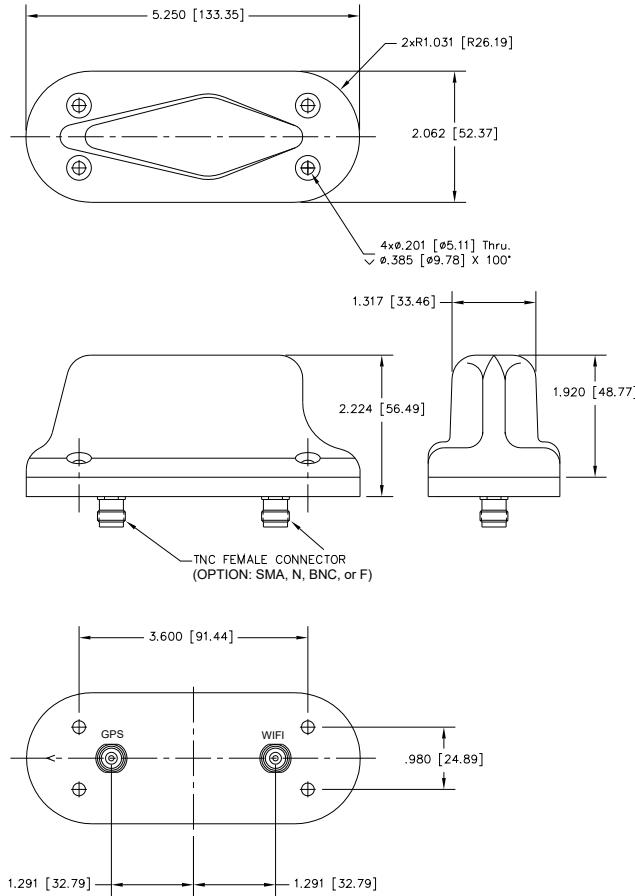
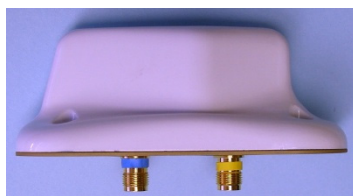
FAA Approved Facility

L1 GPS & GSM (810-996MHz) Antenna: P/N: 2B15GSMRV-AP-XTT-1, P/N: 2B1215GSMRV-AP-XTT-1 (for L1/L2)
 L1 GPS & WIFI (2.4-2.5GHz) Antenna: P/N: 2B1524RV-AP-XTT-1, P/N: 2B121524RV-AP-XTT-1 (for L1/L2)
 L1 GPS & Quad Band (0.810-2.5GHz) Antenna: P/N: 2B15QBRV-AP-XTT-1, P/N: 2B1215QBRV-AP-XTT-1 (For L1/L2)
 L1 GPS & Wide Band (0.810-5.9GHz) Antenna: P/N: 2B15WB2RV-AP-XTT-1, P/N: 2B1215WB2RV-AP-XTT-1 (For L1/L2)
 L1 GPS & Wide Band 2 (2.4-5.9GHz) Antenna: P/N: 2B15WB2RV-AP-XTT-1, P/N: 2B1215WB2RV-AP-XTT-1 (For L1/L2)
 L1 GPS & L/S-Band 2 (1.6-2.5GHz) Antenna: P/N: 2B15LSRV-AP-XTT-1, P/N: 2B1215LSRV-AP-XTT-1 (For L1/L2)



ANTCOM CORPORATION . 367 Van Ness Way, Suite 602 . Torrance, CA 90501 . Tel: (310) 782-1076 . Fax: (310) 782-1086 . E-mail: antennas@antcom.com . http://www.antcom.com

NOTICE OF PROPRIETARY RIGHTS
 THIS DOCUMENT CONTAINS CONFIDENTIAL TECHNICAL DATA INCLUDING TRADE SECRETS PROPRIETARY TO ANTCOM CORP. DISCLOSURE OF THIS DATA TO YOU IS EXPRESSLY CONDITIONED UPON YOUR AGREEMENT THAT THIS USE IS LIMITED TO USE WITH YOUR COMPANY ONLY (AND DOES NOT INCLUDE MANUFACTURE OR REPRODUCTION). ANY OTHER USE IS STRICTLY PROHIBITED WITHOUT PRIOR WRITTEN CONSENT OF ANTCOM CORP.



SPECIFICATIONS

ELECTRICAL:

		REVISIONS		
ZONE	REV	DESCRIPTION	DATE	APPROVED

FREQUENCY:	WIFI (2400 - 2500) MHz	GPS L1: (1575.42 ±13)
RADIATION PATTERN:	OMNIDIRECTIONAL	HEMISPHERICAL
POLARIZATION:	VERTICAL	RHCP
VSWR:	2.0:1	< 1.5:1
GAIN (dB):	> 2 dB	F.S. 4 ft G.P
@ 90° Zenith:	+ 4.6	+ 2.9
@ 10° Elevation:	- 2.5	- 1.8
@ 20° Elevation:	- 1.1	+ 0.7
@ 30° Elevation:	+ 0.5	+ 1.7
@ 45° Elevation:	+ 2.1	+ 1.9
@ 60° to 90° Elevation:	> 3.6	> 2.1
BEAM WIDTH (3dB):	103 °	146 °
AXIAL RATIO @ Zenith:	2 dB	
POWER HANDLING:	1 Watt	
LIGHTNING PROTECTION:	DC GROUNDING	
FILTER (REJ. @1616 MHz):	> 60 dB	
LNA GAIN:	(33.0+/-1.0) dB, 20dB (-A2- Option)	
LNA P 1dB Out:	+16 dBm	
LNA NOISE FIGURE:	2.8 dB (Filter loss is included)	
VOLTAGE/CURRENT:	(+2.8 TO +28) Volts DC / (30 TO 50) mA	

MECHANICAL:

SIZE: WIDTH 2.06 in. [52.4 mm], LENGTH 5.25 in. [133.4 mm], HEIGHT 2.22 in. [56.49 mm]
 WEIGHT: 7.4 oz. (210g)
 FINISH: SKYDROL RESISTANT POLYURETHANE ENAMEL
 BASE IRIDITE PER MIL-C-5541F
 COLOR: LUSTERLESS GRAY #36320 PER FED-STD-595B
 GLOSS WHITE #17925 PER FED-STD-595B
 OLIVE DRAB GREEN #34031 PER FED-STD-595B
 LUSTERLESS BLACK #37038 PER FED-STD-595B
 MATERIAL: 6061-T6 ALUMINUM ALLOY BASE
 COMPOSITE RADOME, IMPACT, ABRASION, UV, SOLVENT, SKYDROL RESISTANCE, AND FIRE RETARDANT
 CONNECTOR: TNC-FEMALE (OPTION: SMA, N, BNC)
 MOUNTING: FLAT FIXED MOUNT; 10-32 MOUNTING SCREWS ARE PROVIDED

ENVIRONMENTAL:

TEMPERATURE: -67°F TO +185°F [-55°C TO +85°C]
 ALTITUDE: 70,000 ft.
 VIBRATION: 30 G's
 LEAKAGE: HERMETICALLY SEALED

FEDERAL & MILITARY SPECIFICATIONS:

FAA TSO-C144, DO-160D, D0-228, MIL-C-5541, MIL-STD-461E/F, SAE J1455
 MIL-E-5400, MIL-I-45208A, MIL-STD-810, MIL-S-901D, MIL-STD-167-1A

SIZE	Frequency	Other Band	GPS/RX only LNA	DC BLOCK/LIMITER
1: 2" SQ.	15: L1 GPS	C: (4.4-5.9) GHz	A2: WITH +20 dB LNA	D1: WITH DC BLOCK & WITH LIMITER
1.9: 1.9" SQ.	1215: L1/L2 GPS	24: (2.4-2.5) GHz	A3: WITH +33 dB LNA	
2: 2.6" DIA.	GS: L1/L2 GPS/Glonass	L: (1.6-2.0) GHz	P: WITHOUT LNA	BLANK: WITHOUT DC BLOCK NOR LIMITER
3: 3.5" DIA.		L/S: (1.6-2.5) GHz		
4: MINI ARINC		GSM: (810-996) MHz		
		QB: (0.810-2.5) GHz		
		WB: (0.810-5.9) GHz		
		WB2: (2.4-5.9) GHz		

2B1524RV-A2P-XTT-1

CABLE LENGTH:	UHF/Other-Band CON.	COLOR:
X NO CABLE	S: SMA; B: BNC; P: F	-1: GLOSS WHITE #17925 PER FED-STD-595B
M: WITH MAG. MOUNT	M: MCK; MM: MMCK	-2: LUSTERLESS GRAY #36320 PER FED-STD-595B
#: CABLE LENGTH (IN)	N: NIN-Bulkhead	-3: OLIVE DRAB GREEN #34031 PER FED-STD-595B
R: RIGHT ANGLE CON.	T: TB; TNC; TNC-Bulkhead	-4: LUSTERLESS BLACK #37038 PER FED-STD-595B

QUANTITY	DESCRIPTION	PART NO	FINISH	ITEM NO
4	10-32 SCREW, MOUNTING, 1.25in	MS24693-C278	-	2
			-	1

UNLESS OTHERWISE SPECIFIED	ANTCOM CORP.
DIMENSIONS ARE IN INCHES	TORRANCE, CALIFORNIA
FRACTIONS DECIMALS ANGLES	
± 1/64 .001 .015 ± 1°	
TOLERANCE SURF PER ANSI Y14.5	
REMOVE ALL BURRS	
BREAK EXTENSION EDGES .006 TO .015	
FALL TO FINISH PER MIL-S-8879	
DRS IN A COLUMN & 20° ONLY	
WASHED SURFACES 12°	
DO NOT SCALE DRAWING	

ORIGINALLY DRAWN	S. HUYNH	SEP-23-11
ORIGINALLY DESIGNED	S. HUYNH <td>SEP-23-11</td>	SEP-23-11
UPDATED	S. HUYNH <td>JAN-24-13</td>	JAN-24-13
UPGRADE DRAWN	P. TRAN <td>JAN-24-13</td>	JAN-24-13
APPROVED	S. HUYNH <td>JAN-24-13</td>	JAN-24-13

REV	DATE	DESCRIPTION	BY
D	3CVE1	2B1524RV-A2P-XTT-1	ANTCOM

SCALE 1/1 SHEET 1 OF 1

- O-RING AND MOUNTING SCREWS ARE SUPPLIED BY ANTCOM CORPORATION
 - DIMENSIONS IN BRACKETS ARE IN MILLIMETERS [mm]
- NOTES: UNLESS OTHERWISE SPECIFIED:

Antenna Mounts: http://www.antcom.com/documents/catalogs/PeripheralAntennaProducts2.pdf NMO Connector Option is Now Available for Some Antennas