

New S/C-Band Antenna (2 Ports), P/N: **2B-S-C-BANDVV-XTT-2 Rev A**, 2" Tall Blade Configuration, **Shorter and Lighter**



ANTCOM CORPORATION . 367 Van Ness Way, Suite 602 . Torrance, CA 90501, USA . Tel: (310) 782-1076 . Fax: (310) 782-1086 . E-mail: antennas@antcom.com . http://www.antcom.com

NOTICE OF PROPRIETARY RIGHTS
THIS DOCUMENT CONTAINS CONFIDENTIAL, TECHNICAL DATA INCLUDING TRADE SECRETS PROPRIETARY TO ANTCOM CORP. DISCLOSURE OF THIS DATA TO ANY OTHER PARTY IS EXPRESSLY PROHIBITED UNLESS YOU AGREE THAT ITS USE IS LIMITED TO THE USE WITH YOUR COMPANY ONLY AND DOES NOT INCLUDE REPRODUCTION OR DISSEMINATION. ANY OTHER USE IS EXPRESSLY PROHIBITED WITHOUT PRIOR WRITTEN CONSENT OF ANTCOM CORP.

SPECIFICATIONS

REVISIONS				
ZONE	REV	DESCRIPTION	DATE	APPROVED

ELECTRICAL:

FREQUENCY (MHz):	P1: C-BAND (4400-5850)	P2: S-BAND (2300-2500)
PATTERN:	OMNIDIRECTIONAL	
POLARIZATION:	VERTICAL	
ANTENNA GAIN : 1ft GP	4 dB	4 dB (Front/Back) , 2 dB (Sides)
ANTENNA GAIN : 4ft GP	6 dB	6 dB (Front/Back) , 3 dB (Sides)
VSWR :	2.0:1	
OUTPUT IMPEDANCE:	50 Ω	
POWER HANDLING:	>50 watts	

MECHANICAL:

SIZE:	WIDTH: 2.055 in. [52 mm], LENGTH: 5.25 in. [133 mm], HEIGHT: 1.982 in. [50 mm]
WEIGHT :	4.9 oz. (139g)
FINISH:	SKYDROL RESISTANT POLYURETHANE ENAMEL BASE IRIDITE PER MIL-C-5441
COLOR:	LUSTERLESS GRAY #36320 PER FED-STD-595B GLOSS WHITE #17925 PER FED-STD-595B OLIVE DRAB GREEN #34031 PER FED-STD-595B LUSTERLESS BLACK #37038 PER FED-STD-595B
MATERIAL:	6061-T6 ALUMINUM ALLOY BASE THERMOSET PLASTIC RADOME, UV, ABRASION AND SKYDROL RESISTANCE
CONNECTOR:	TNC FEMALE CONNECTORS (OPTIONAL: SMA, N, BNC, TNC)

ENVIRONMENTAL:

TEMPERATURE:	-67°F TO +185°F [-55°C TO +85°C]
ALTITUDE :	70,000 ft.
VIBRATION:	10 G's
LEAKAGE:	HERMETICALLY SEAL

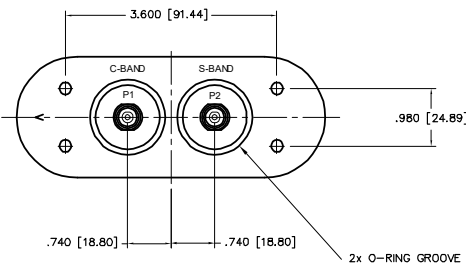
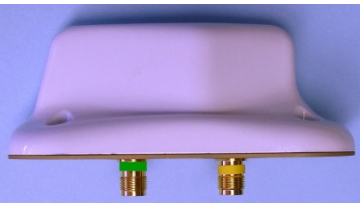
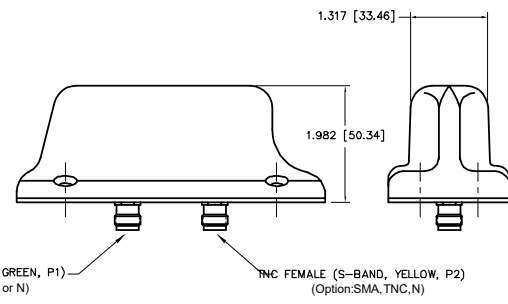
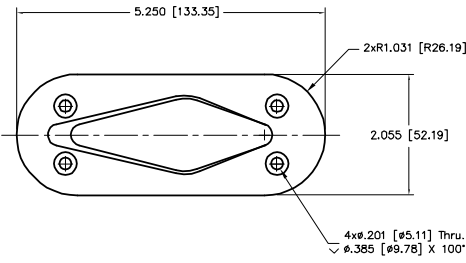
FEDERAL & MILITARY SPECIFICATIONS:

DESIGN TO: DO-160D, MIL-C-5541, MIL-E-5400, MIL-I-45208A, AND MIL-STD-810

QTY	DESCRIPTION	PART NO	SPECIFICATION	MATERIAL	FINISH	REF NO.
4	SCREW, MOUNTING	MS24693C273	-	-	-	2
2	O-RING	MS28775-024	-	-	-	1

UNLESS OTHERWISE SPECIFIED		DIMENSIONS ARE IN INCHES	
FRACTIONS	DECIMALS	ANGLES	
± 1/64	± .005	± 1°	
TOLERANCE SURF PER AMS 1145			
REMOVE ALL BURRS			
BREAK EXTERNAL EDGES .005 TO .015			
FILET R. .015 TO 0.125			
SCREW THREADS PER MIL-C-8879			
FILED ON A CONFORM 2-2000			
MACHINED SURFACES			

ANTCOM CORP. TORRANCE CALIFORNIA OUTLINEDRAWING S/C-BAND VIDEO/DATA LINK ANTENNA		DATE: 06-25-09 DRAWN BY: S. HUYNH CHECKED: [Signature] APPROVED: [Signature]
SHEET NO: D QTY: 3CVE1 SCALE: 1/1	DRAWING NO: 2B-S-C-BANDVV-XTT-2 REV: A	SHEET 1 OF 1



1. DIMENSIONS IN BRACKETS ARE IN MILLIMETERS [mm]
NOTES: UNLESS OTHERWISE SPECIFIED:

NMO Connector Option is Now Available for Some Antennas