



FAA Approved Facility

High Gain S-Band Helix Antenna

P/N: 28x1.6H2223R-P-XT-1 (2.2-2.3 GHz, TNC, White), P/N: 28x1.6H2425R-P-XT-1 (2.4-2.5 GHz, TNC, White)

P/N: 28x1.6H2025R-P-XT-1 (2.0-2.5 GHz, TNC, White), P/N: 28x1.6H1625R-P-XT-1 (1.6-2.5 GHz, TNC, White)

Other Frequencies, LNAs, Polarizations, Connectors and Colors are Available

Antenna Mounts/Adapters: <http://www.antcom.com/documents/catalogs/PeripheralAntennaProducts2.pdf>

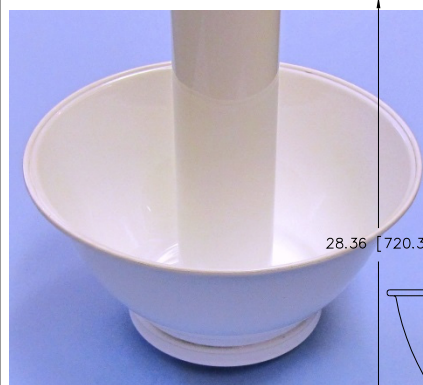

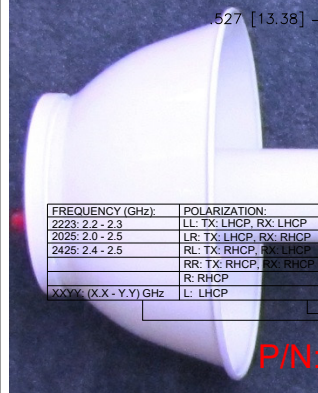


ANTCOM CORPORATION . 367 Van Ness Way, Suite 602 . Torrance, CA 90501 . Tel: (310) 782-1076 . Fax: (310) 782-1086 . E-mail: antennas@antcom.com . <http://www.antcom.com>

NOTICE OF PROPRIETARY RIGHTS
THIS DOCUMENT CONTAINS CONFIDENTIAL, TECHNICAL DATA INCLUDING TRADE SECRETS PROPRIETARY TO ANTCOM CORP. DISCLOSURE OF THIS DATA TO YOU IS EXPRESSLY CONDITIONED UPON YOUR AGREEMENT THAT ITS USE IS LIMITED TO USE WITHIN YOUR COMPANY ONLY (AND DOES NOT INCLUDE MANUFACTURE OR PROCESSING VESSEL). ANY OTHER USE IS EXPRESSLY PROHIBITED WITHOUT PRIOR WRITTEN CONSENT OF ANTCOM CORP.

SPECIFICATIONS

| REVISIONS | |
|-----------|-------------|
| ZONE | DESCRIPTION |
| | |

1.650 [41.91] Dia.

28.36 [720.3]

TNC FEMALE CONNECTOR

4x 10-32 UNF .135 Deep

1.250 [31.75] SQ.

1.630 [41.41] SQ.

1.900 [48.25] SQ.

2.687 [68.24] SQ.

4x 4-40 UNG .250in Deep

8x 6-32 UNG .250in Deep

Ø6.440 [Ø163.58]

Ø3.500 [Ø88.90]

1.527 [13.38]

ELECTRICAL:

| FREQUENCY (GHz): | 1.6 GHz | 1.7 GHz | 1.8 GHz | 1.9 GHz | 2.0 GHz | 2.1 GHz | S-BAND (2.20-2.30) | 2.4 GHz | 2.5 GHz |
|----------------------|-------------|----------|-----------|-----------|-----------|-----------|--------------------|-----------|-----------|
| ANTENNA GAIN (dBic): | 1.8 dBic | 9.6 dBic | 11.6 dBic | 11.7 dBic | 13.5 dBic | 15.8 dBic | 15.4 dBic | 14.5 dBic | 12.6 dBic |
| RADIATION PATTERN: | DIRECTIONAL | | | | | | | | |
| POLARIZATION: | RHCP | | | | | | | | |
| VSWR: | 2.0:1 | | | | | | | | |
| IMPEDANCE: | 50 ohms | | | | | | | | |

MECHANICAL:

SIZE: TOP DIA = 1.65in [41.9 mm], BASE DIA = 3.50 in[88.90 mm]
HEIGHT = 28.36in [720.3mm]

WEIGHT: 45 oz. (1.27 kg)

FINISH: SKYDROL RESISTANT POLYURETHANE ENAMEL
BASE IRIDITE PER MIL-C-5541F TYPE II CLASS 1A

COLOR: GLOSS WHITE #17925 PER FED-STD-595B
LUSTERLESS GRAY #36320 PER FED-STD-595B
OLIVE DRAB GREEN #34031 PER FED-STD-595B
LUSTERLESS BLACK #37038 PER FED-STD-595B

MATERIAL: 6061-T6 ALUMINUM ALLOY BASE
COMPOSITE RADOME, IMPACT, ABRASION, UV, SOLVENT, AND SKYDROL RESISTANCE, FIRE RETARDANT

CONNECTOR: TNC FEMALE
(OPTION: SMA, N, BNC)

ENVIRONMENTAL:

TEMPERATURE: -67 °F TO +185 °F [-55 °C TO +85 °C]

ALTITUDE: 70,000 ft.

VIBRATION: > 30 G's

LEAKAGE: HERMETICALLY SEALED

FEDERAL & MILITARY SPECIFICATIONS:

DESIGN TO: FAA TSO-C144, DO-160D, D0-228, MIL-C-5541F, MIL-E-5400, MIL-I-45208A, MIL-STD-810, AND SAE J1455

| QUANTITY REQD | DESCRIPTION | PARTS LIST | PART NO | REQD |
|---------------|---|------------|------------|------|
| 4 | MOUNTING SCREW: (10-32 Pan Head Phillips, 1/4") | | MS51958-59 | 2 |
| -1 | DESCRIPTION | | | 1 |

| FREQUENCY (GHz): | POLARIZATION: | LNA: | CABLE'S LENGTH: | CONNECTOR: | COLOR: |
|-----------------------|------------------------|--------------------|----------------------|--------------------------|--|
| 2223: 2.2 - 2.3 | LL: TX: LHCP, RX: LHCP | A: WITH +34 dB LNA | X: NO CABLE | S: SMA; P: PINS | -1: GLOSS WHITE #17925 PER FED-STD-595B |
| 2025: 2.0 - 2.5 | LR: TX: LHCP, RX: RHCP | P: WITHOUT LNA | M: WITH MAG. MOUNT | M: MCX; MM: MMCX | -2: LUSTERLESS GRAY #36320 PER FED-STD-595B |
| 2425: 2.4 - 2.5 | RL: TX: RHCP, RX: LHCP | | F: CABLE LENGTH (IN) | N: N; NB: N-Bulkhead | -3: OLIVE DRAB GREEN #34031 PER FED-STD-595B |
| | RR: TX: RHCP, RX: RHCP | | R: RIGHT ANGLE CON. | T: TNC; TB: TNC-Bulkhead | -4: LUSTERLESS BLACK #37038 PER FED-STD-595B |
| XXXX: (X.X - Y.Y) GHz | L: LHCP | | | | |

P/N: 28x1.6H2223R-P-XT-1

| | | |
|---|--|--|
| UNLESS OTHERWISE SPECIFIED DIMENSIONS ARE IN INCHES FRACTIONS DECIMALS ANGLES ± 1/64 ± .010 ± .1° | | <p>ANTCOM CORP. TORRANCE, CALIFORNIA</p> <p>HIGH GAIN S-BAND HELIX ANTENNA</p> <p>REV D 30VE1 28X1.6H2223R-P-XT-1 1 A</p> <p>SCALE 1/1 SHEET 1 OF 1</p> |
|---|--|--|

NMO Connector is Now Available for Some Antennas