



FAA Approved Facility

Antcom's UHF/GSM/WDL Antenna,
P/N: 2.3G0.90-0.93P-XS-4 (902-928) MHz

P/N: 2.3G0.96-0.99P-XS-4 (968-988) MHz, P/N: 2.3G0.81-0.96P-XS-4 (810-960) MHz

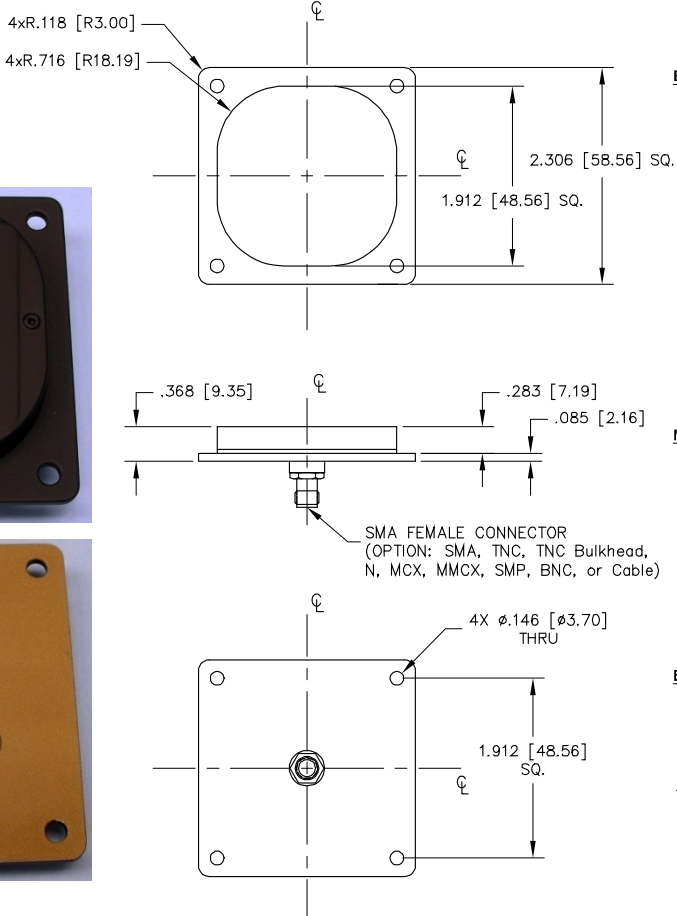
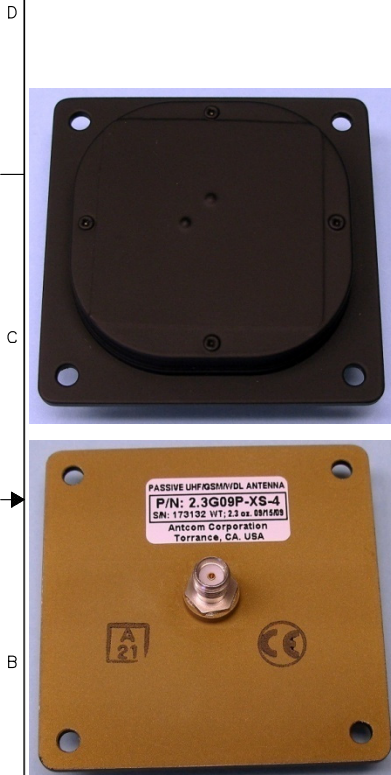
Other Frequencies are Available

Antenna Mounts: <http://www.antcom.com/documents/catalogs/PeripheralAntennaProducts2.pdf>



ANTCOM CORPORATION . 367 Van Ness Way, Suite 602 . Torrance, CA 90501 . Tel: (310) 782-1076 . Fax: (310) 782-1086 . E-mail: antennas@antcom.com . <http://www.antcom.com>

NOTICE OF PROPRIETARY RIGHTS
THIS DOCUMENT CONTAINS UNCLASSIFIED INFORMATION. IT IS THE PROPERTY OF ANTCOM CORPORATION AND IS LOANED TO YOU BY EXPRESS OR IMPLIED UNDER YOUR AGREEMENT THAT ITS USE IS LIMITED TO USE WITHIN YOUR COMPANY ONLY AND DOES NOT INCLUDE REPRODUCTION OR REPRODUCTION OF THIS DOCUMENT IN ANY MANNER OR BY ANY MEANS WITHOUT WRITTEN CONSENT OF ANTCOM CORP.



SPECIFICATIONS

REVISIONS				
ZONE	REV	DESCRIPTION	DATE	APPROVED

ELECTRICAL:

FREQUENCY:	GSM (902 - 928) MHz
RADIATION PATTERN:	HEMISPHERICAL
POLARIZATION:	RHCP
VSWR:	< 2:1
IMPEDANCE:	50 ohms
ANTENNA GAIN (dBic):	> 2 dB
POWER HANDLING:	150 W
LIGHTNING PROTECTION:	DC GROUNDING

MECHANICAL:

SIZE: 2.31 in. [58.56 mm] SQ.
HEIGHT: 0.37 in. [9.35 mm]

WEIGHT: 2.4 oz. (68 g)

FINISH: SKYDROL RESISTANT POLYURETHANE ENAMEL
BASE IRIDITE PER MIL-C-5541F

MATERIAL: 6061-T6 ALUMINUM ALLOY BASE
COMPOSITE RADOME, IMPACT, ABRASION, UV, SOLVENT,
SKYDROL RESISTANCE, AND FIRE RETARDANT

CONNECTOR: SMA FEMALE
(OPTION: SMA, TNC, TNC Bulkhead, N, N Bulkhead,
MCX, MMCX, SMP, BNC, or Cable)

ENVIRONMENTAL:

TEMPERATURE: -67 °F TO +185 °F [-55 °C TO +85 °C]
ALTITUDE: 70,000 ft.
VIBRATION: > 30 G's
LEAKAGE: HERMETICALLY SEALED

FEDERAL & MILITARY SPECIFICATIONS:

FAA TSO-C144, DO-160D, D0-228, MIL-C-5541,
MIL-E-5400, MIL-I-45208A, MIL-STD-810, AND SAE J1455

ACCEPTANCE TEST PROCEDURE: ATP-GPS-L1L2-100

SIZE:	FREQUENCY:	LNA:
1: 2" SQ.	0.90-0.93: (0.902-0.928) GHZ	A2: WITH 20 dB LNA
1.9: 1.9" SQ.	0.81-0.96: (0.810-0.960) GHZ	A4: WITH 40 dB LNA
2.3: 2.3" SQ.	0.96-0.99: (0.968-0.988) GHZ	P: WITHOUT LNA
2: 2.6" DIA.		P2: WITHOUT LNA, WITH RHCP/LHCP POLARIZATION
3: 3.5" DIA.	X.XX-X.XX (GHz):	P2L: WITHOUT LNA, WITH DUAL LINEAR POLARIZATION

P/N: 2.3GX.XX-X.XXP-XS-4

CABLE'S LENGTH:	CONNECTOR:	COLOR:
X: NO CABLE	S: SMA; P, P2: PINS	-1: GLOSS WHITE #17925 PER FED-STD-595B
M: MAG; N: NO MAG,	M: MCX; MM: MMCX	-2: LUSTERLESS GRAY #36320 PER FED-STD-595B
R: CABLE LENGTH (IN)	N, NB: RS: R-SMA	-3: OLIVE DRAB GREEN #34031 PER FED-STD-595B
R: RIGHT ANGLE CON.	T, TB: TNC, TNC-Bulkhead	-4: LUSTERLESS BLACK #37038 PER FED-STD-595B
		-5: TAN #33446 PER FED-STD-595B

QUANTITY REQD	DESCRIPTION	PARTS LIST	PART NO	FINISH	REV
2	ANTENNA				1

UNLESS OTHERWISE SPECIFIED DIMENSIONS ARE IN INCHES FRACTIONS DECIMALS ANGLES ± 1/64 ± .015 ± .1°		ORIGINALLY DRAWN S. HUYNH Aug-25-09	ANTCOM CORP. TORRANCE, CALIFORNIA 2.3" SQUARE, UHF/GSM/WDL ANTENNA
TOLERANCE .5MM PER ANSI Y14.5		ORIGINALLY DESIGNED S. HUYNH Aug-25-09	
MESH: ALL SURF. BREAK EXTERNAL EDGES .005 TO .015 SOLDER BRASS PER MIL-S-8878 315 ON A GRIND & 25.000		UPDATED S. HUYNH July-24-14	
MACHINED SURFACES		UPDATE DRAWN P. TRAN July-24-14	
DO NOT SCALE DRAWING		APPROVED S. HUYNH July-24-14	DRAWING NO 2.3GX.XX-X.XXP-XS-4 SCALE 1/1 SHEET 1 OF 1

1. DIMENSIONS IN BRACKETS ARE IN MILLIMETERS [mm]
NOTES: UNLESS OTHERWISE SPECIFIED:

NMO Connector Option is Now Available for Some Antennas