



FAA Approved Facility

4G/LTE/UHF/L/S-Band Antenna for Deep Sea Applications, *Depth Rate = 10 Km (14,555 PSI)*

P/N: 5W-0.30-0.50P-12S-UU (0.30-0.50 GHz, 5 in High) or P/N: 10W-0.30-0.50P-12S-UU (0.30-0.50 GHz, 10 in High)

P/N: 5W-0.85-2.70P-12S-UU (0.85-2.70 GHz, 5 in. High) or P/N: 10W-0.85-2.70P-12S-UU (0.85-2.70 GHz, 10 in. High)

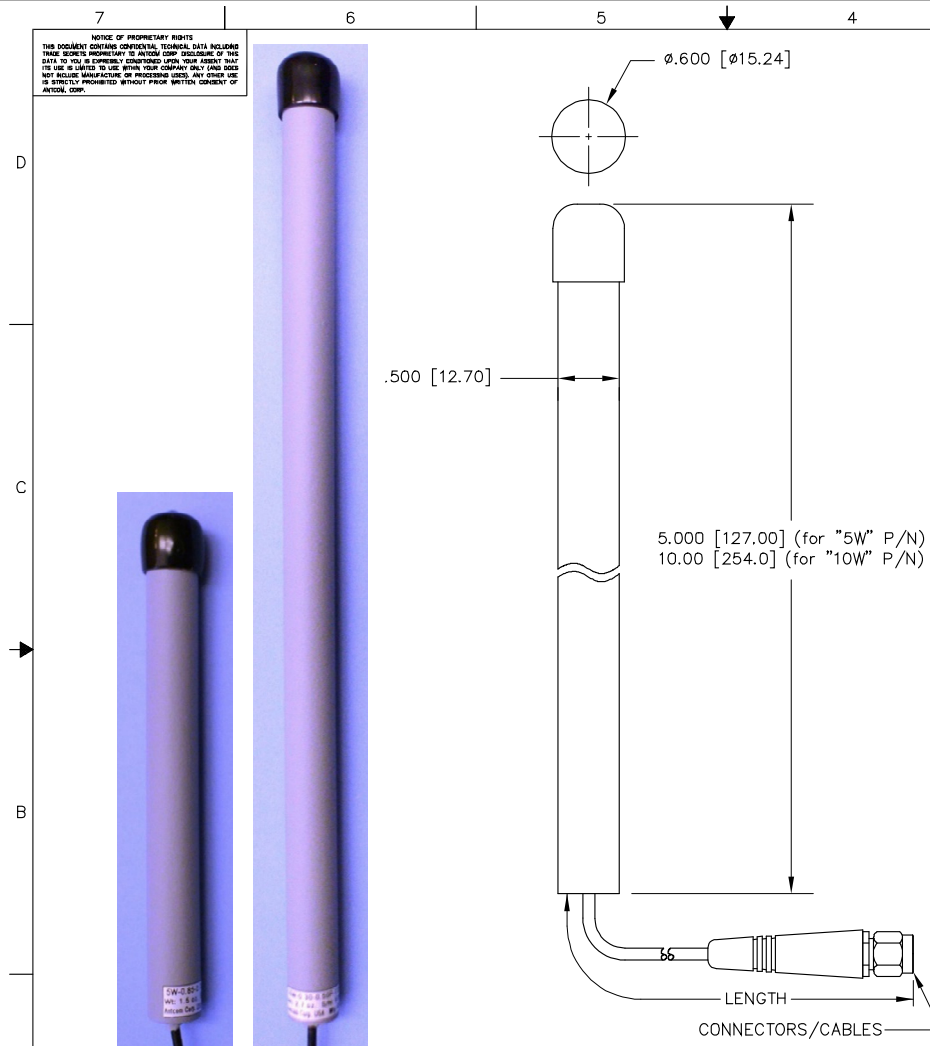
Other Frequencies, Connector and Color Options are Available

Antenna Mounts: <http://www.antcom.com/documents/catalogs/PeripheralAntennaProducts2.pdf>



ANTCOM CORPORATION . 367 Van Ness Way, Suite 602 . Torrance, CA 90501 . Tel: (310) 782-1076 . Fax: (310) 782-1086 . E-mail: [antennas@antcom.com](mailto:antennas@antcom.com) . <http://www.antcom.com>

**NOTICE OF PROPRIETARY RIGHTS**  
THIS DOCUMENT CONTAINS CONFIDENTIAL TECHNICAL DATA INCLUDING TRADE SECRETS PROPRIETARY TO ANTCOM CORP. DISCLOSURE OF THIS DATA TO YOU IS EXPRESSLY UNLAWFUL. YOUR ACCEPTANCE OF THIS USE IS LIMITED TO USE WITHIN YOUR COMPANY ONLY AND DOES NOT ALLOW REPRODUCTION OR REPRODUCTION RIGHTS. ANY OTHER USE IS EXPRESSLY PROHIBITED WITHOUT PRIOR WRITTEN CONSENT OF ANTCOM CORP.



**SPECIFICATIONS**

REVISIONS		DATE	APPROVED
ZONE	REV	DESCRIPTION	

**ELECTRICAL:**

FREQUENCY (MHz):	(300-500) or (850-2700) MHz
PATTERN:	OMNIDIRECTIONAL
POLARIZATION:	VERTICAL
ANTENNA GAIN :	>0 dBil
VSWR:	2.5:1
OUTPUT IMPEDANCE:	50 Ω
POWER HANDLING:	>50 watts

**MECHANICAL:**

SIZE:	DIAMETER: TOP= 0.500 in [12.70 mm] HEIGHT: 5.000 [127.00] for 5W P/N HEIGHT: 10.0 in. [254.0 mm] for 10W P/N
WEIGHT:	1.5 oz. (42g) for 5W P/N 2.7 oz. (77 g) for 10W P/N
FINISH:	TEFLON COATED
MATERIAL:	6061-T6 ALUMINUM ALLOY BASE THERMOSET PLASTIC RADOME, UV, ABRASION AND SKYDROL RESISTANCE
CONNECTOR:	SMA MALE CABLE (OPTION: TNC, N, N Bulkhead, MCX, or MMCX)

**ENVIRONMENTAL:**

TEMPERATURE:	-76°F TO +194°F [-60°C TO +90°C]
ALTITUDE:	70,000 ft.
VIBRATION:	>10 G's
LEAKAGE:	HERMETICALLY SEALED

**FEDERAL & MILITARY SPECIFICATIONS:**

**DESIGN TO:** DO-160D, MIL-C-5541, MIL-E-5400, MIL-I-45208A, AND MIL-STD-810E

CONFIGURATION:	FREQUENCY:	LNA:	CABLE'S LENGTH:	CONNECTOR:	COLOR:
SIZE WITH 1.75IN DIA. FLANGE SC WITH-OUT Flange	0.31-0.40; (310-400) MHz	A: WITH +20 dB LNA P: WITHOUT LNA	X: NO CABLE M: WITH MAG. MOUNT #: CABLE LENGTH (IN) R: RIGHT ANGLE CON.	S: SMA FEMALE SM: SMA MALE I: TNC FEMALE TM: TNC MALE N: N FEMALE; B: BNC FEMALE NM: N MALE; BN: BNC MALE	+1: GLOSS WHITE #17925 PER FED-STD-595B -2: LUSTERLESS GRAY #38320 PER FED-STD-595B -3: CAMO GREEN #34094 PER FED-STD-595B -4: NATURAL BLACK (Utem 2200 Black) -5: DESERT TAN #33446 PER FED-STD-595B -UU: Gray Color Teflon Coating

P/N: 5W-0.85-2.70P-12S-UU  
or 10W-0.30-0.50P-12S-UU

QUANTITY REQD	DESCRIPTION	PART NO	SPECIFICATION	MATERIAL	FINISH	1
						1

UNLESS OTHERWISE SPECIFIED DIMENSIONS ARE IN INCHES		<b>ANTCOM CORP.</b> TORRANCE, CALIFORNIA	
FRACTIONS	DECIMALS	ANGLES	
± 1/64	± 0.005	± 1°	
TOLERANCE SYM PER ANSI Y14.5		REVISIONS	
REMOVE ALL DIMENSIONS FROM EXTERNAL EDGES .005 TO .015		1 S. HUYNH May-10-16	
FILETS IF SIZE TO BE .030		2 S. HUYNH May-10-16	
SHARP EDGES PER MIL-S-8879		3 S. HUYNH Aug-30-16	
2X'S ON A COMMON & 2X .005		4 P. TRAN Aug-30-16	
FINISHED SURFACES 125		5 S. HUYNH Aug-30-16	
DO NOT SCALE DRAWING			