



(161-163)MHz, (2.4-2.5)GHz, Other Frequencies and Connectors are Available. *Depth Rate = 10 Km (14555 PSI)*

FAA Approved Facility

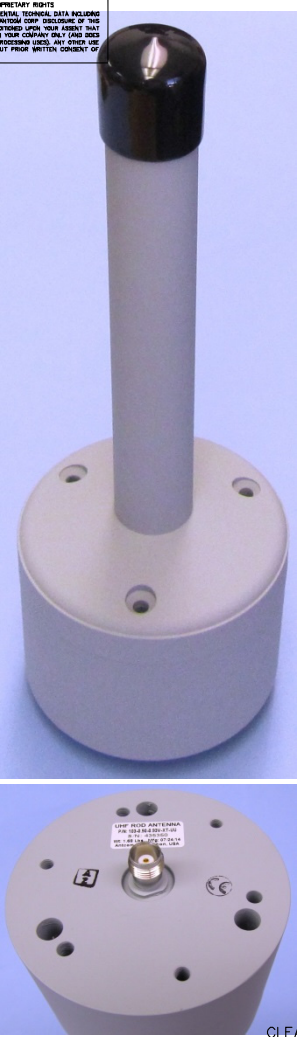
(900-930) MHz, GSM/ISM Antenna for Deep Sea Applications

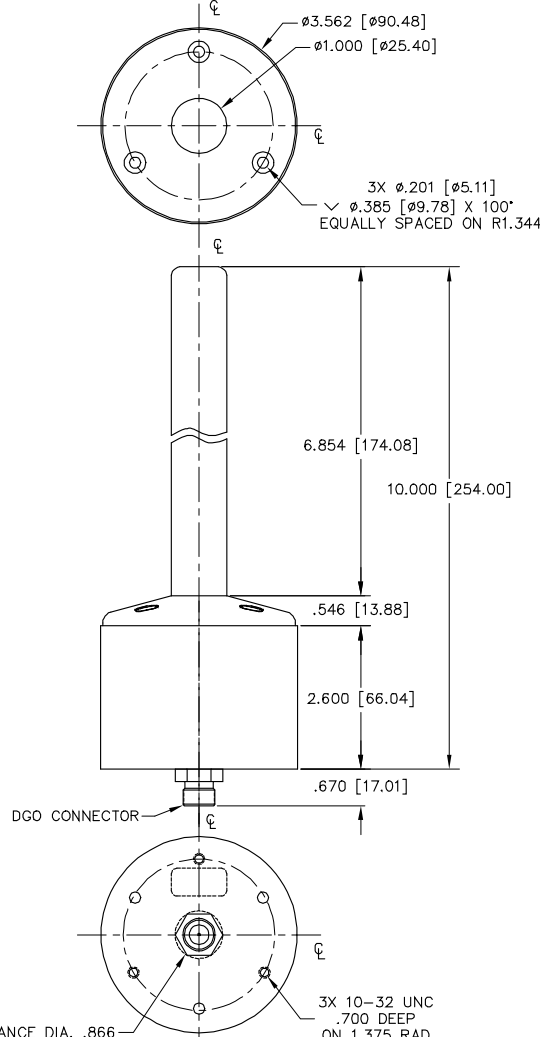
P/N: 103-0.90-0.93V-XDGO-UU (For DGO Connectors)

P/N: 103-0.90-0.93V-XX-2-UU (For Other Connectors)



ANTCOM CORPORATION . 367 Van Ness Way, Suite 602 . Torrance, CA 90501 . Tel: (310) 782-1076 . Fax: (310) 782-1086 . E-mail: antennas@antcom.com . http://www.antcom.com





### SPECIFICATIONS

**ELECTRICAL:**

FREQUENCY:	(900-930) MHz
RADIATION PATTERN:	OMNI
POLARIZATION:	VERTICAL
VSWR:	< 1.5:1
GAIN (dB):	>2.1 dBil
ELE. BEAM WIDTH:	1 ELEMENT DIPOLE
AZ. BEAM WIDTH:	360 deg.
IMPEDANCE:	50 Ohms
POWER HANDLING:	200 Watt

**MECHANICAL:**

SIZE: BASE DIAMETER = 3.56 in. [90.5 mm],  
HEIGHT = 10.00 in. [254.0 mm]

WEIGHT: 1.681 lbs. (762 g)

FINISH: SKYDROL RESISTANT POLYURETHANE ENAMEL  
BASE IRIDITE PER MIL-C-5441

MATERIAL: 6061-T6 ALUMINUM ALLOY BASE  
COMPOSITE RADOME, IMPACT, ABRASION, UV, SOLVENT,  
SKYDROL RESISTANCE, AND FIRE RETARDANT

CONNECTOR: DGO FEMALE  
(OPTION: SMA, TNC, N, BNC)

**ENVIRONMENTAL:**

TEMPERATURE: -67 °F TO +185 °F [-55 °C TO +85 °C]

ALTITUDE: 70,000 ft.

VIBRATION: > 30 G's

LEAKAGE: HERMETICALLY SEAL

**FEDERAL & MILITARY SPECIFICATIONS:**

DESIGN TO: FAA TSO-C144, DO-160D, DO-228, MIL-C-5541,  
MIL-E-5400, MIL-L-45208A, MIL-STD-810, AND SAE J1455

**ACCEPTANCE TEST PROCEDURE:** ATP-GPS-L1L2-100

ZONE	REV	DESCRIPTION	DATE	APPROVED
3		SCREW, 10-32, 3.5"L (Item544-325)		

FREQUENCY (GHz)	POLARIZATION:	CONNECTOR:	COLOR:
0.31-0.40: (310-400) MHz	V: VERTICAL	S: SMA; P: PINS	-1: GLOSS WHITE #17925 PER FED-STD-595B
0.35-0.40: (350-400) MHz	L: LHCP	M: MCX; MM: MMCX	-2: LUSTERLESS GRAY #36320 PER FED-STD-595B
0.40-0.45: (400-450) MHz	R: RHCP	N: N; NB: N-Bulkhead	-3: OLIVE DRAB GREEN #34031 PER FED-STD-595B
0.85-1.90: (850-1900) MHz		T: TNC; TB: TNC-Bulkhead	-4: LUSTERLESS BLACK #37038 PER FED-STD-595B
1.20-2.50: (1200-2500) MHz		DGO: DGO	-5: TAN #33446 PER FED-STD-595B
X,XX-Y,YY;(X,XX-Y,YY) GHz			UU: Gray Color Teflon Coating

**P/N: 103-0.90-0.93V-XDGO-UU**

UNLESS OTHERWISE SPECIFIED DIMENSIONS ARE IN INCHES	FRACCTIONS TO DECIMALS	ANGLES
± 1/64	.002 .015	± 1°
TOLERANCE SYM PER ANSI Y14.6		
REMOVE ALL BURRS		
BREAK EXTERNAL EDGES .006 TO .015		
FILETS R .015 TO R .030		
SCREW THREADS PER MIL-E-8879		
DATA'S ON A COMMON S. 25-005		
MACHINED SURFACES .125		
DO NOT SCALE DRAWING		

ANTCOM CORP.	TORRANCE CALIFORNIA
GSM/ISM/VHF OMNI ANTENNA	
DATE	REV
D   3CVE1	103-0.90-0.93V-XDGO-UU
SCALE 1/1	SHEET 1 OF 1

NMO Connector Option is Now Available for Some Antennas