



FAA Approved Facility

# Active or Passive L1/L2 GPS Antennas, P/N: 1.9G1215X-18RS-X-3-X

## Low Profile 1.9" Square, Flat Mount with Cable Configurations

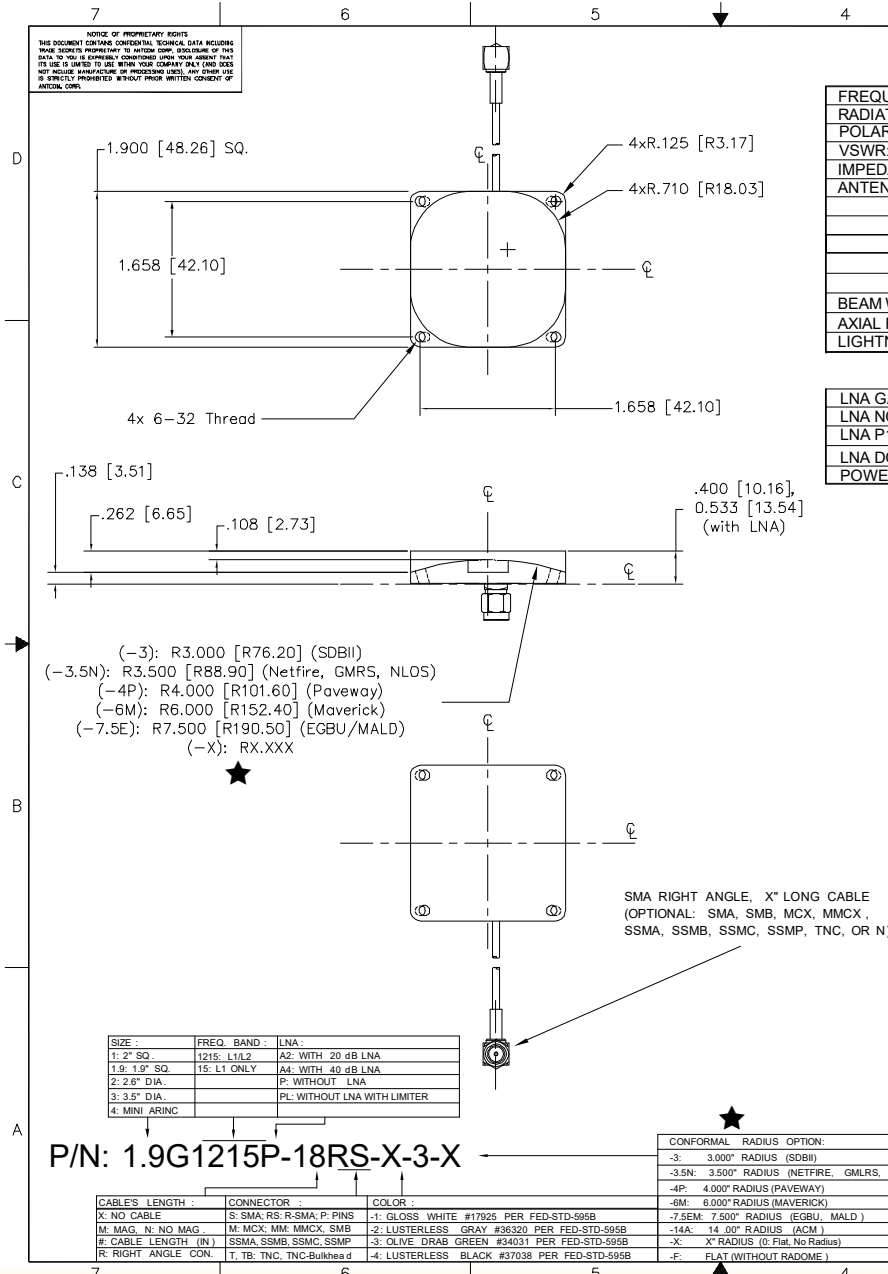
### Suitable for Forming Multiple Element CRPA

"-PL-" or "-AL-" for Limiter Options for High Power Pulse Protection



ANTCOM CORPORATION . 367 Van Ness Way, Suite 602 . Torrance, CA 90501 . Tel: (310) 782-1076 . Fax: (310) 782-1086 . E-mail: antennas@antcom.com . http://www.antcom.com

Wide Band GNSS Option Is Available



### SPECIFICATIONS

ELECTRICAL:		L1: (1575.42 ±12) MHz		L2: (1227.60 ±12) MHz			
FREQUENCY:		HEMISPHERICAL					
RADIATION PATTERN:		RHCP					
POLARIZATION:		< 1.5:1					
VSWR:		50 ohms					
IMPEDANCE:		Free Space	3 in G.P.	4 ft G.P.	Free Space	3 in G.P.	4 ft G.P.
ANTENNA GAIN (dBic):		+3.7	+4.7	+3.1	-1.7	+3.3	+4.5
@ 90 ° (ZENITH):		-2.9	-1.8	-1.9	-7.3	-3.8	-3.5
@ 10 ° Elevation:		-1.3	-0.3	+0.6	-6.2	-2.0	-0.8
@ 20 ° Elevation:		0.0	+1.4	+1.7	-5.2	-0.5	+1.4
@ 30 ° Elevation:		> 3.0	> 3.9	> 2.4	> -3.2	> 2.7	> 2.2
@ 60 - 90 ° Elevation:		108 Deg.	114 Deg.	143 Deg.	100 Deg.	106 Deg.	74 Deg.
BEAM WIDTH (3dB):		2 dB	DC GROUNDING			2 dB	
AXIAL RATIO:		LNA OPTION:					
LIGHTNING PROTECTION:		LNA GAIN:	20 dB	20 dB	LNA NOISE FIGURE:	1.9 dB	1.8 dB
		LNA P1dB Out:	+13 dBm	+13 dBm	LNA DC POWER:	2.5V/10mA, 3V/10mA, 3.3V/12mA, (2.5-24)V/<20mA	
		POWER HANDLING:	1 Watt CW, MORE WITH LIMITER OPTION				

MECHANICAL:	
SIZE:	LENGTH = 1.90 in. [48.26 mm], WIDTH = 1.90 in. [48.26 mm] HEIGHT: 0.400 in. [10.16 mm]
WEIGHT:	2.88 oz. (82 g)
FINISH:	SKYDROL RESISTANT POLYURETHANE ENAMEL BASE IRIDITE PER MIL-C-544 1
MATERIAL:	6061-T6 ALUMINUM ALLOY BASE COMPOSITE RADOME, IMPACT, ABRASION, UV, SOLVENT, SKYDROL RESISTANCE, AND FIRE RETARDANT
CONNECTOR:	SMA RIGHT ANGLE MALE WITH 18" CABLE (OPTION: SMB, SMC, SSMA, SSMA, SSMC, SSMP MCX, MMCX, TNC, OR N)

ENVIRONMENTAL:	
TEMPERATURE :	-67 °F TO +185 °F [-55 °C TO +85 °C]
ALTITUDE :	70,000 ft.
VIBRATION :	> 30 G's
LEAKAGE :	HERMETICALLY SEAL

FEDERAL & MILITARY SPECIFICATIONS:	
DESIGN TO:	FAA TSO-C144, DO-160D, D0-228, MIL-C-5541, MIL-E-5400, MIL-I-45208A, MIL-STD-810, AND SAE J1455
ACCEPTANCE TEST PROCEDURE:	ATP-GPS-L1L2-100

QUANTITY REQD	DESCRIPTION	PART NO	SPECIFICATION	MATERIAL	FINISH	REV
						5
1						3
1						2
1						1
-2	-1					

P/N: 1.9G1215P-18RS-X-3-X

SIZE:	FREQ. BAND:	LNA:
1: 2" SQ.	1215: L1/L2	A2: WITH 20 dB LNA
1.9: 1.9" SQ.	15: L1 ONLY	A4: WITH 40 dB LNA
2: 2.6" DIA.		P: WITHOUT LNA
3: 3.5" DIA.		PL: WITHOUT LNA WITH LIMITER
4: MINI ARINC		

UNLESS OTHERWISE SPECIFIED DIMENSIONS ARE IN INCHES FRACTIONS DECIMALS ANGLES ± 1/64 .001 .010 ± 1°

TOLERANCE SMD PER ANSI Y14.5 REMOVE ALL BURRS BREAK EXTERNAL EDGES .000 TO .015 FILLER IS .002 TO .010 COU. SHOW THERMAL PRINTING AND PARTS ON A COMMON 4.0000 MACHINED SURFACES

DO NOT SCALE DRAWING

**ANTCOM CORP.** TORRANCE CALIFORNIA

Low Profile 1.9" SQ. L1/L2 GPS ANTENNA WITH CABLE

DRAWN: [ ] CHECKED: [ ] ENGINEER: [ ] APPROVED: S. HUYNH Feb-19-04

SCALE 1/1 SHEET 1 OF 1

Antenna Mounts: http://www.antcom.com/documents/catalogs/PeripheralAntennaProducts2.pdf Amplifiers/Power Divider/Combiner/Filters: http://www.antcom.com/documents/catalogs/PeripheralAntennaProducts1.pdf